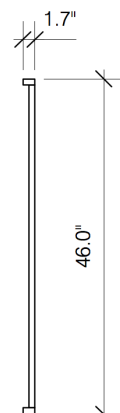


FRONT VIEW

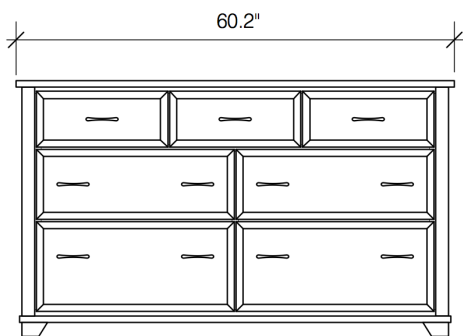


SIDE VIEW

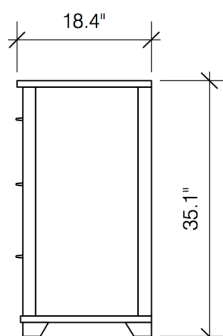
****Note: 7 Drawer Dresser and Mirror Sold separately**

Juniper Mirror

	Box H	Box W	Box L	Cubes	Net Wt.	Gr. Wt.
CM-JUN-	70mm	1165mm	1240mm	0.101m3	19.0Kg	21.0Kg
	2.8"	45.9"	48.8"	3.57cuft	41.9lb	46.3lb



FRONT VIEW



SIDE VIEW

Juniper 7 Drawer Dresser

	Box H	Box W	Box L	Cubes	Net Wt.	Gr. Wt.
CD-JUN-7A-	1595mm	535mm	917mm	0.782m3	71.0Kg	77.0Kg
	62.8"	21.1"	36.1"	27.63cuft	156.5lb	169.8lb

Assembled Product and Carton Dimensions*

**Please Note The Above Weights and Measures may be subject to change without notice.*