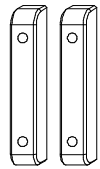
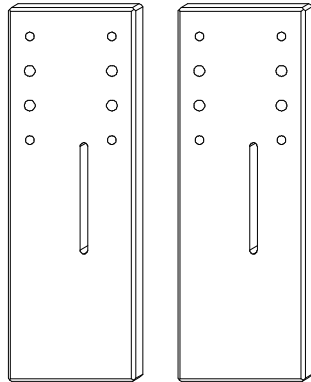


**1A** Parts in this box.

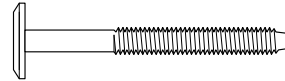


Wood Cap x 2



Headboard Adapter x 2

**1B** Hardware in this box.



M6 x 60mm JCB B Bolts  
x 4



Washer x 4



Spring Washer x 4



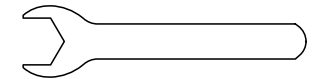
M6 Nut x 4



Wooden Dowel x 4

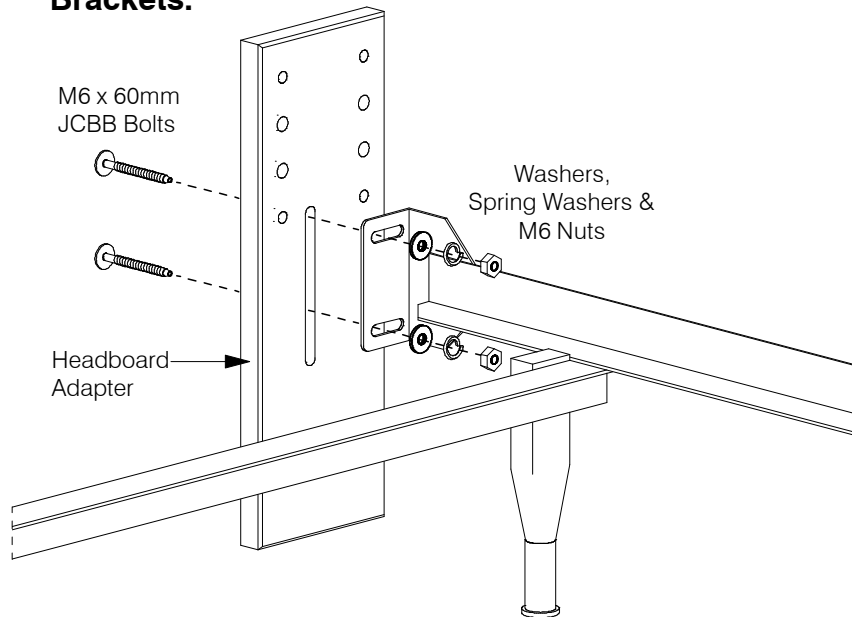


M4 Allen Key x 1



Wrench x 1

**1C** Assembly of the Headboard Adapter to the Bed Brackets.



**1D** Assembly of the Headboard Adapter to the Headboard.

