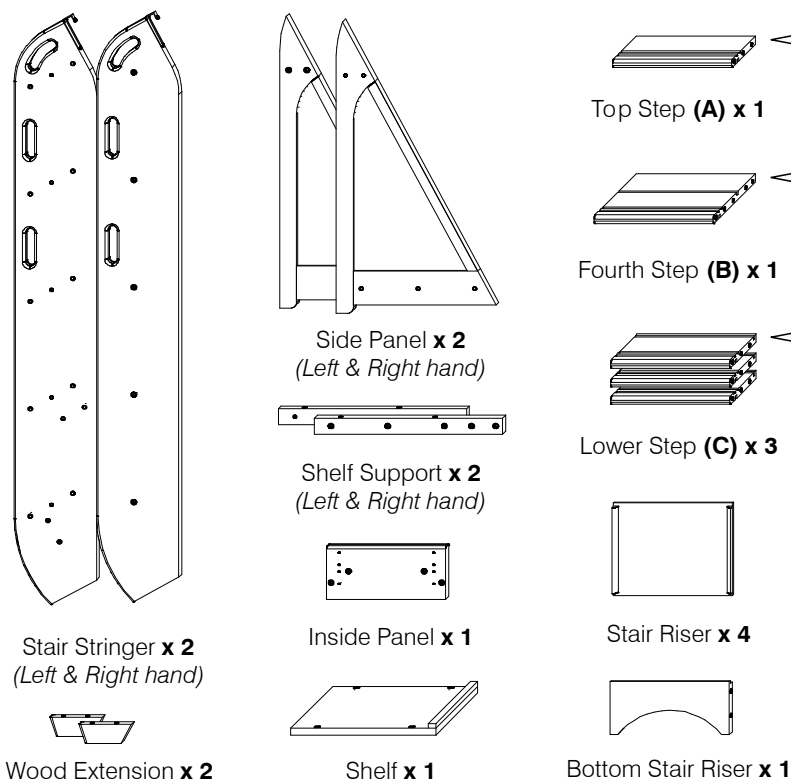


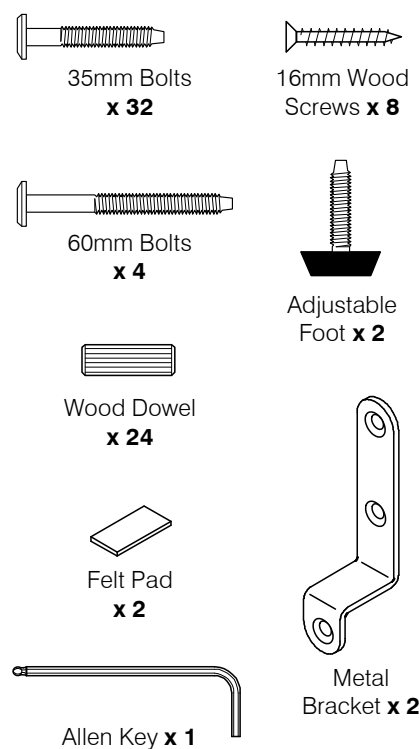
Please Note: • *The sequence of assembly is important.*
• *Please follow these instructions carefully.*

US Patent #D698463

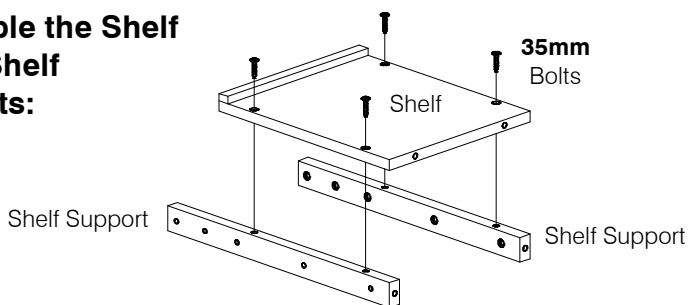
1A Parts in this Box:



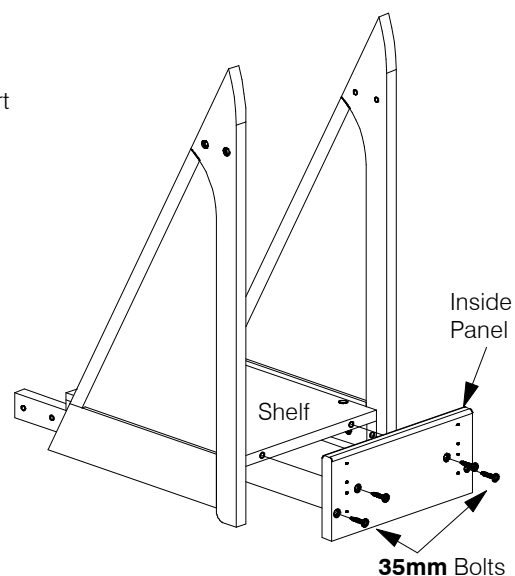
1B Hardware in this Box:



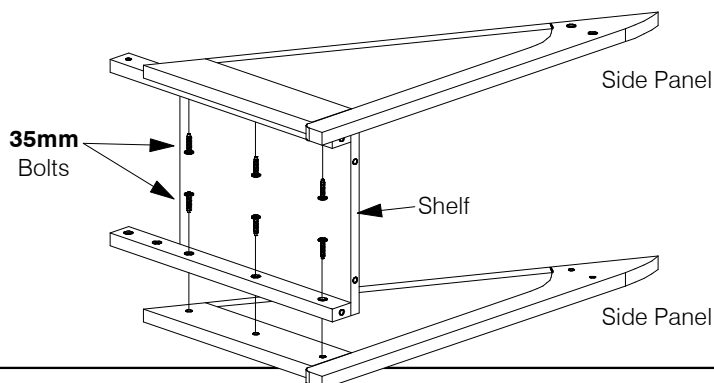
1C Assemble the Shelf to the Shelf Supports:



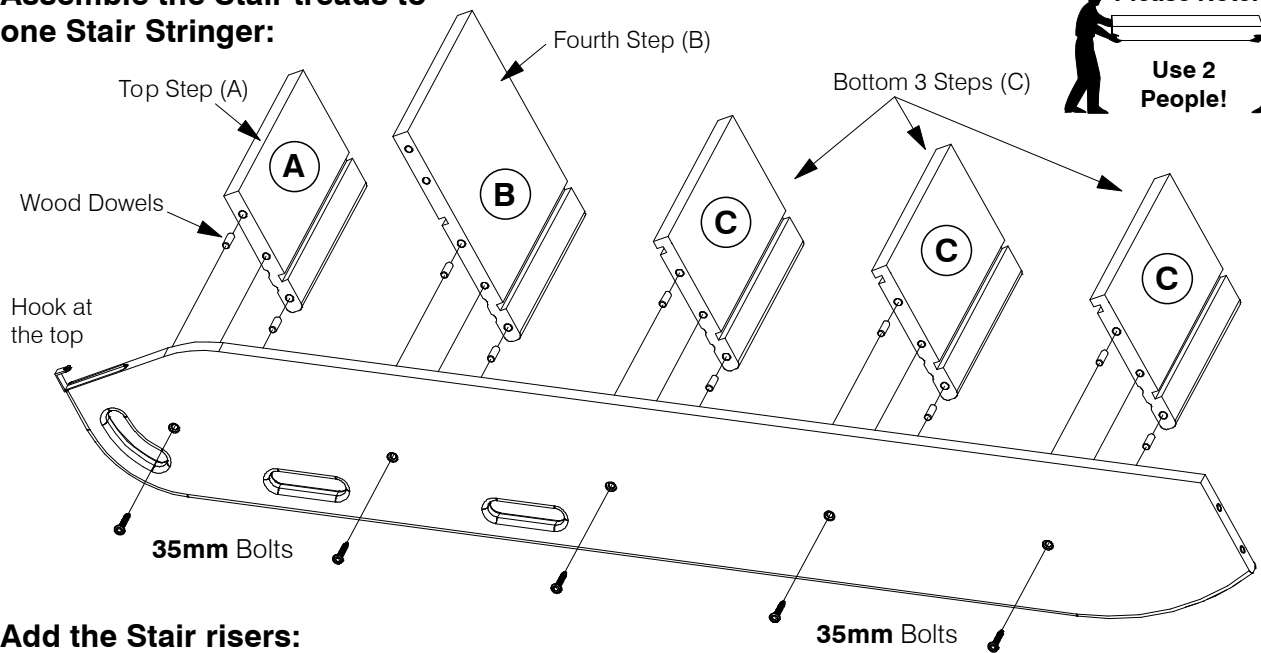
1E Assemble the Inside Panel:



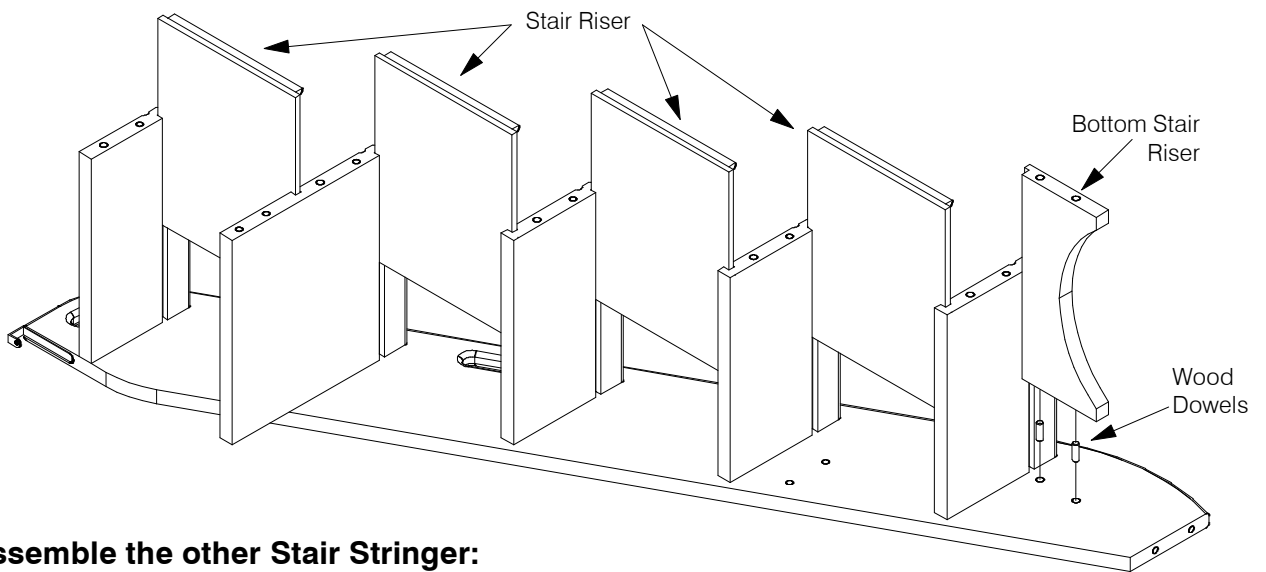
1D Assemble the Side Panels:



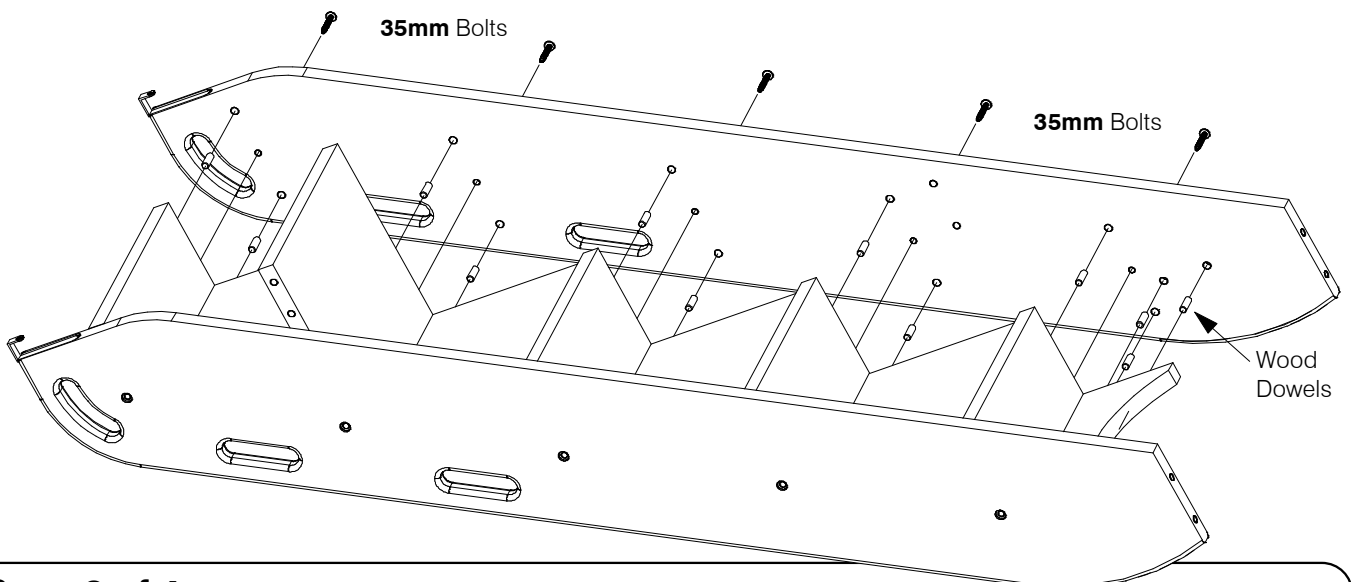
2A Assemble the Stair treads to one Stair Stringer:



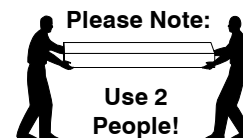
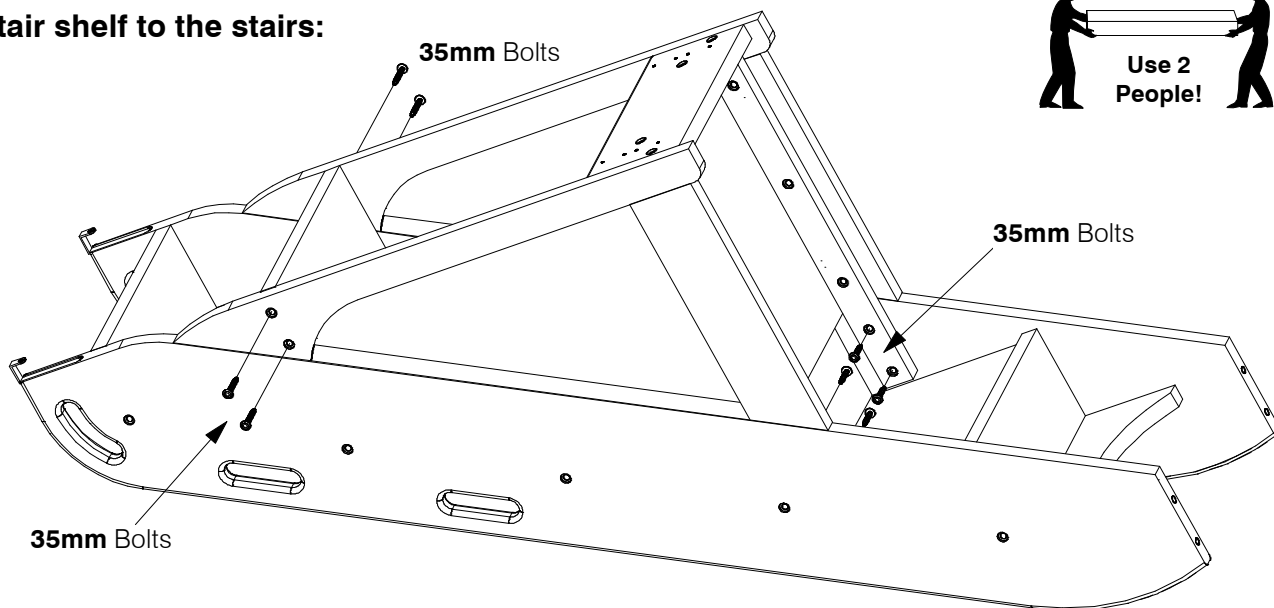
2B Add the Stair risers:



2C Assemble the other Stair Stringer:



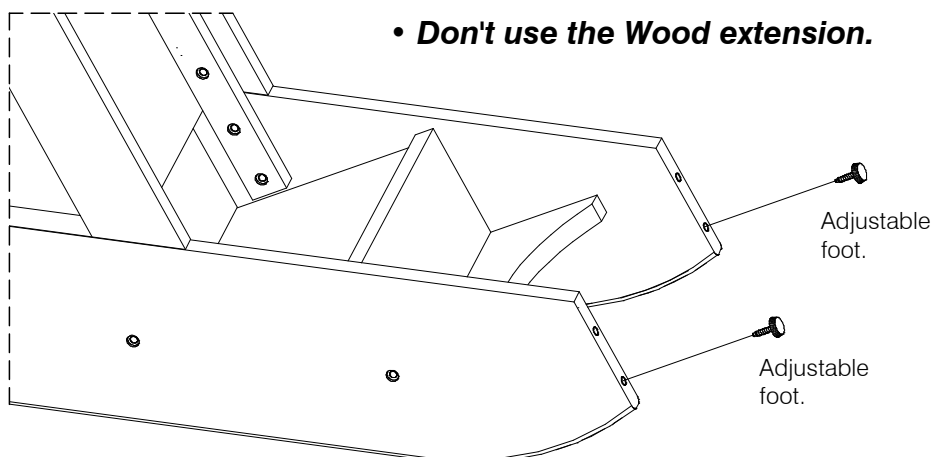
3A Attach the assembled
Stair shelf to the stairs:



3B Add the Adjustable Feet:

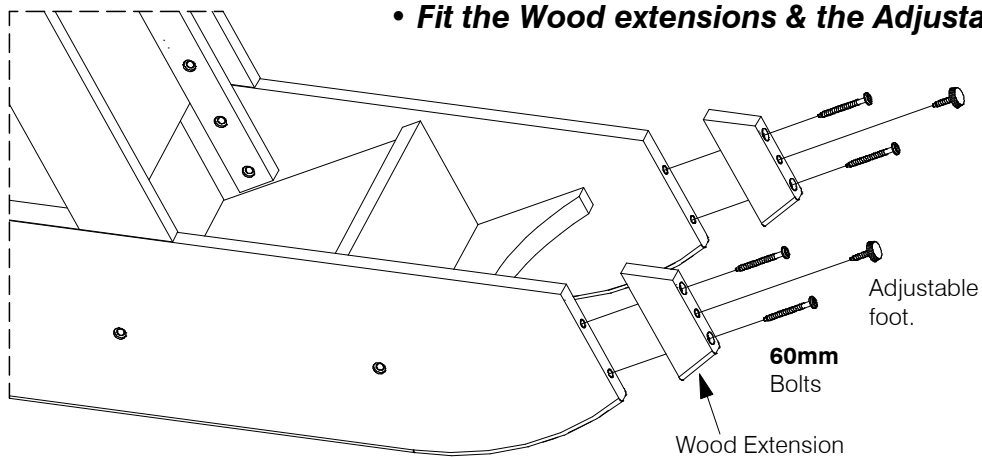
With Twin-Twin bunks:

- Only fit the adjustable feet.
- Don't use the Wood extension.

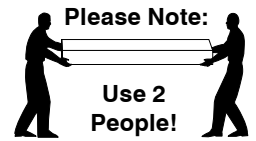
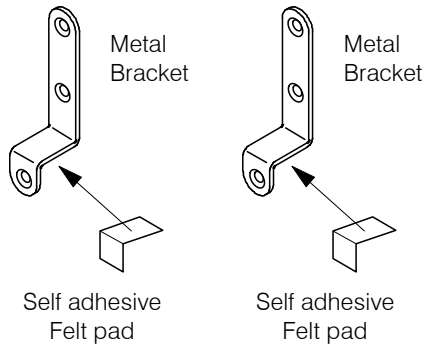


With Full-Full bunks:

- Fit the Wood extensions & the Adjustable feet.



4A Fit the Felt pads to the Metal Brackets



4B Hook the Stair onto the Bunk Bed and fix in place with the Metal Brackets and 16mm screws.

