



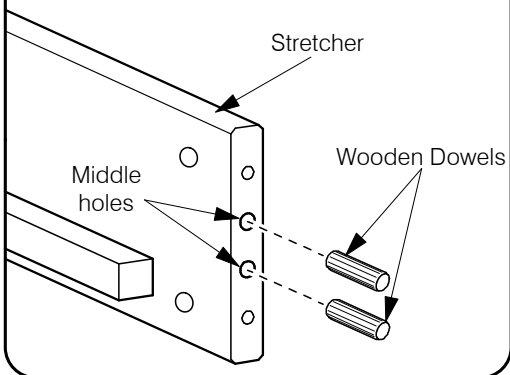


# Assembly Instructions

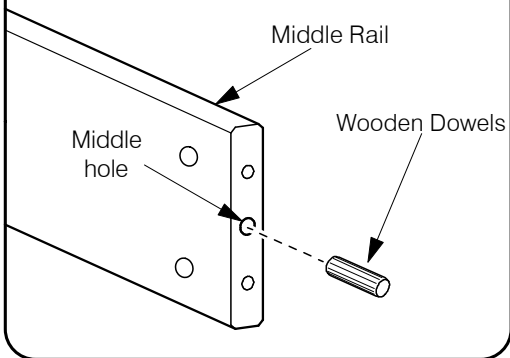
## Ginger Twin Full Bunk Bed

N&D 0808

### 2A Fit Wood Dowels to the Stretchers.

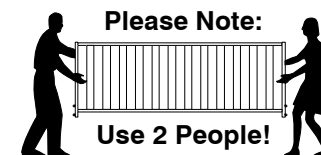


### 2B Fit Wood Dowel to the Middle Rail.

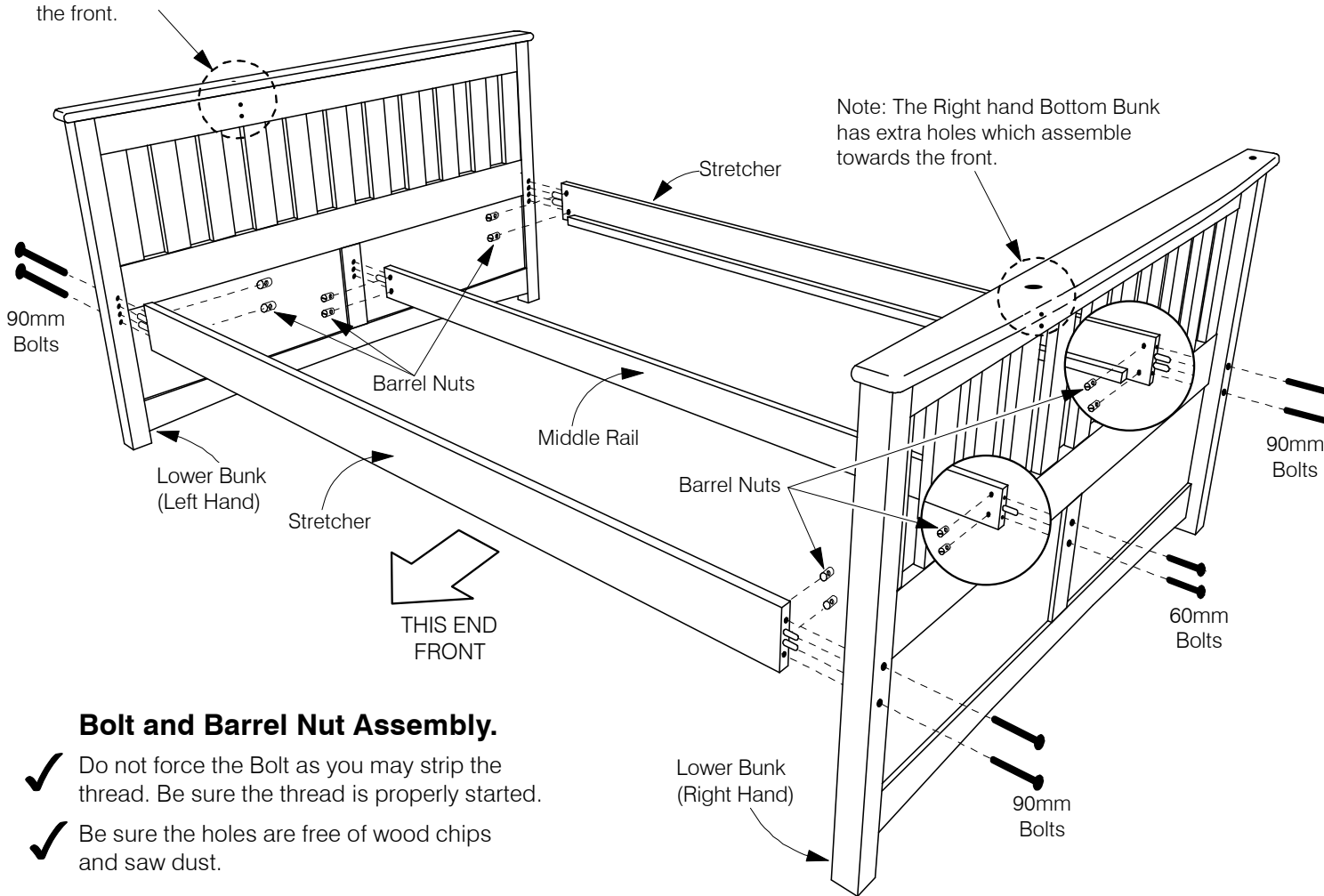


### 2C Attach Stretchers and the Middle Rail to the Lower Bunks.

Note: The Left hand Bottom Bunk has extra holes which assemble towards the front.



Note: The Right hand Bottom Bunk has extra holes which assemble towards the front.



#### Bolt and Barrel Nut Assembly.

- ✓ Do not force the Bolt as you may strip the thread. Be sure the thread is properly started.
- ✓ Be sure the holes are free of wood chips and saw dust.

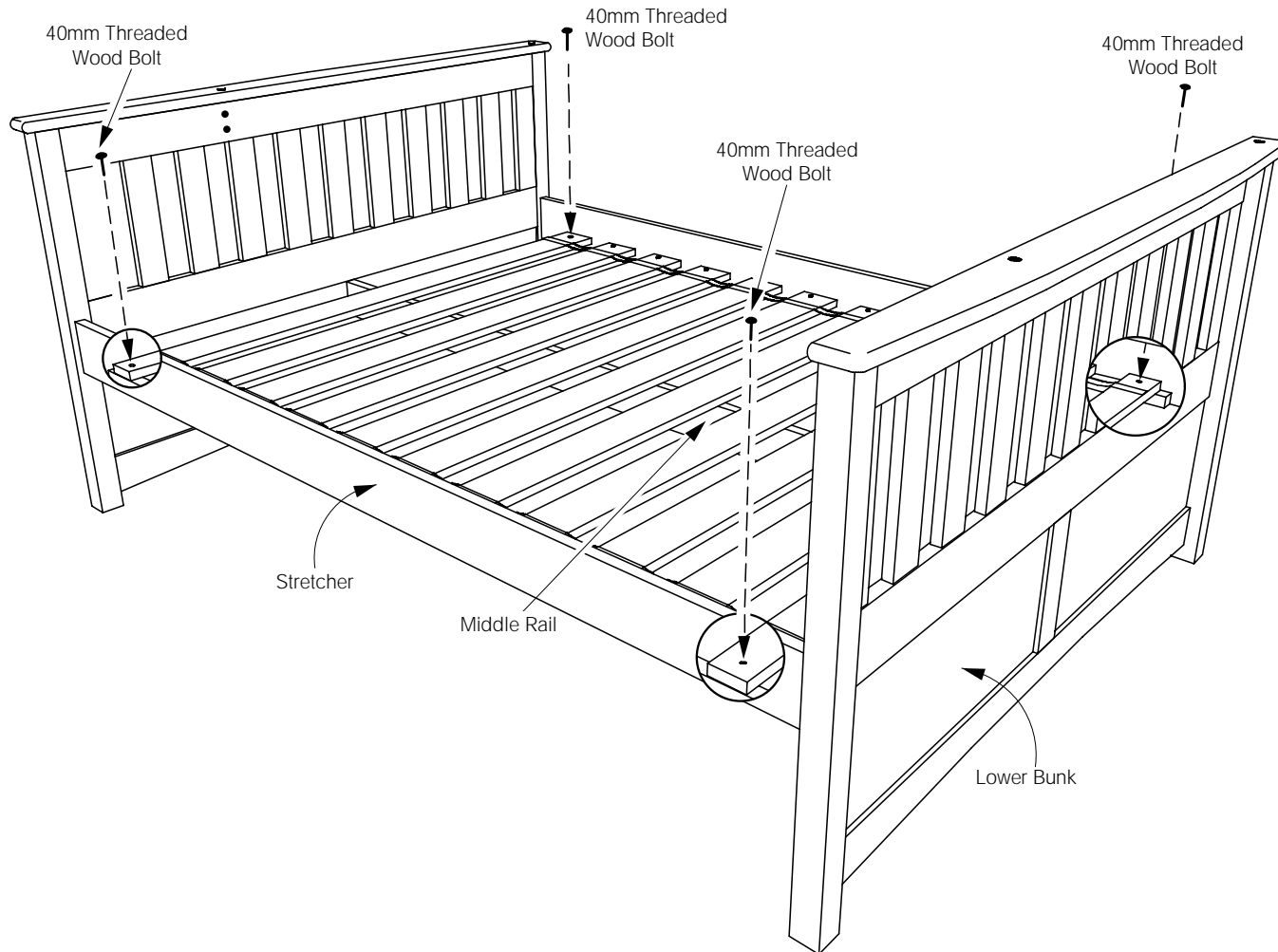
# Assembly Instructions

## Ginger Twin Full Bunk Bed

N&D 0207

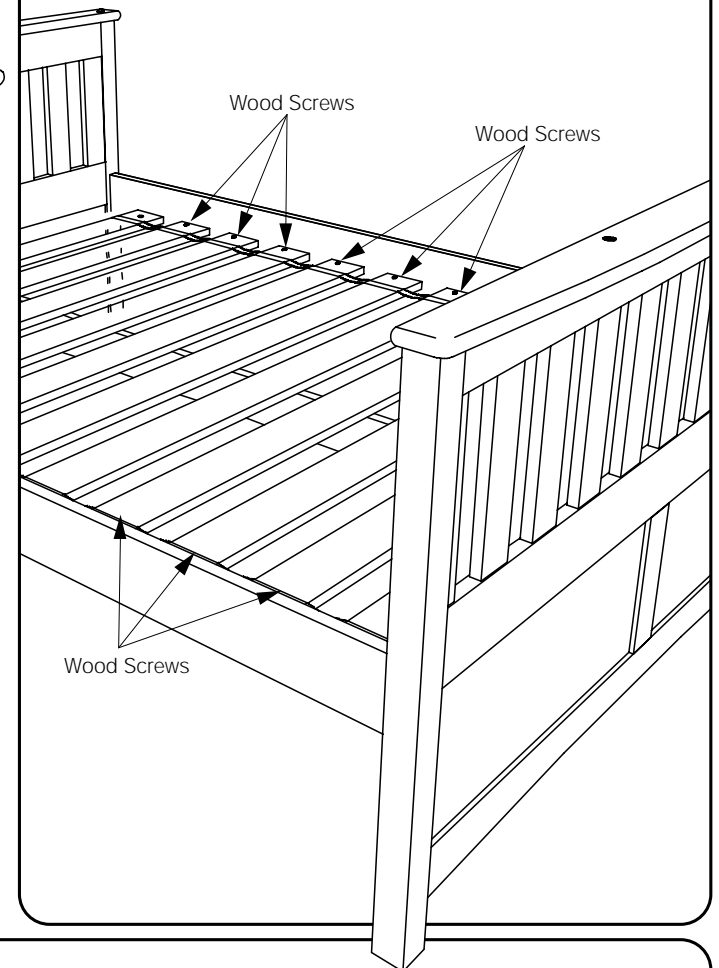
### 3A Fit the Long Slats between the Stretchers.

Lay the Slats inside the Stretchers as shown below, and Bolts in place with 40mm Threaded Wood Bolts (total 4 Bolts)



### 3B Fix the Remaining Slats with screws.

Use the wood screws to fix the remaining slats to the Stretchers (total 18 screws). An electric screwdriver will make this much easier.



# Assembly Instructions

## Ginger Twin Full Bunk Bed

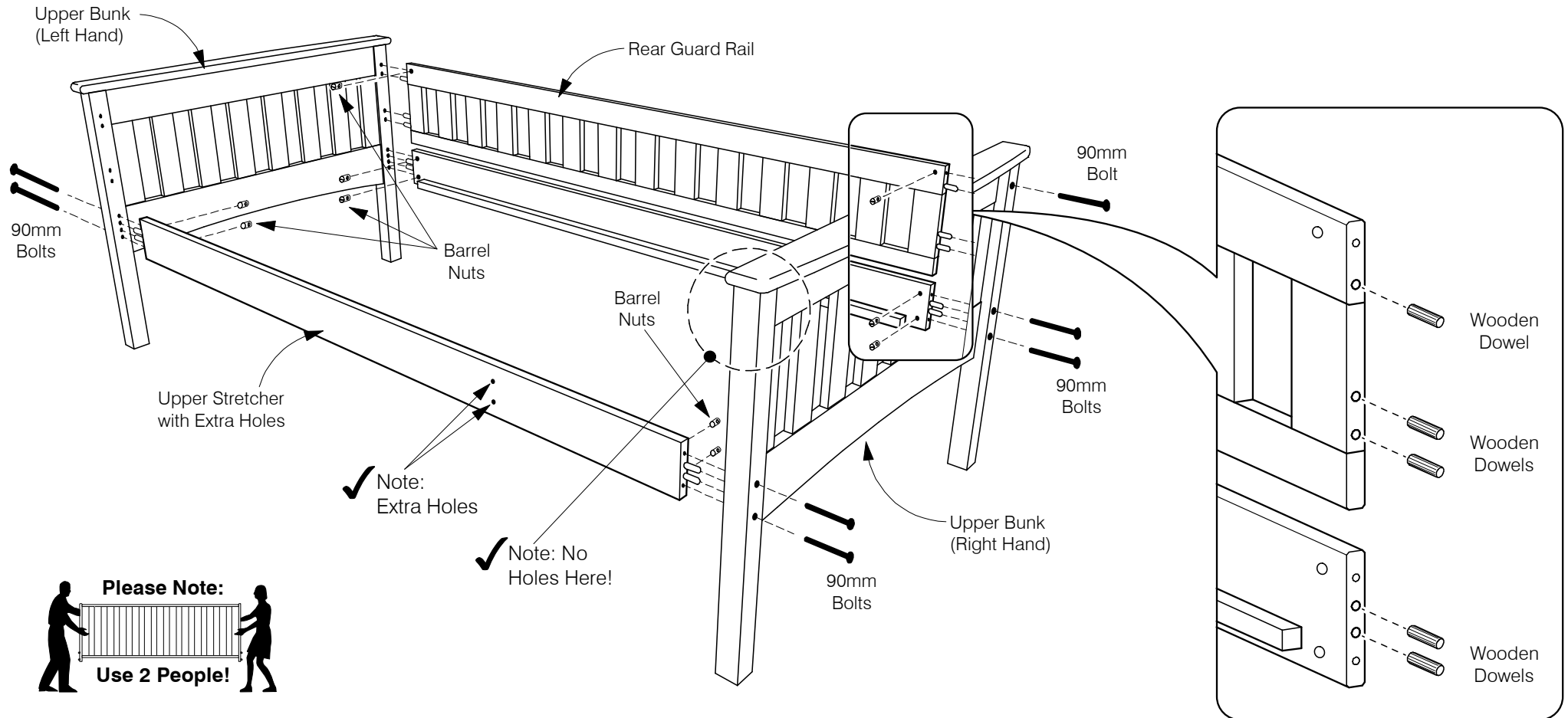
N&D 0808

### 4A Attach the Stretchers and Rear Guard Rail to the Upper Bunks.

Tap Wooden Dowels into the ends of the Stretchers and Rear Guard Rail. Using 90mm Bolts and Barrel Nuts, attach these to the Upper Bunk, carefully noting Left and Right hand sides.

#### Bolt and Barrel Nut Assembly.

- ✓ Do not force the Bolt as you may strip the thread. Be sure the thread is properly started.
- ✓ Be sure the holes are free of wood chips and saw dust.



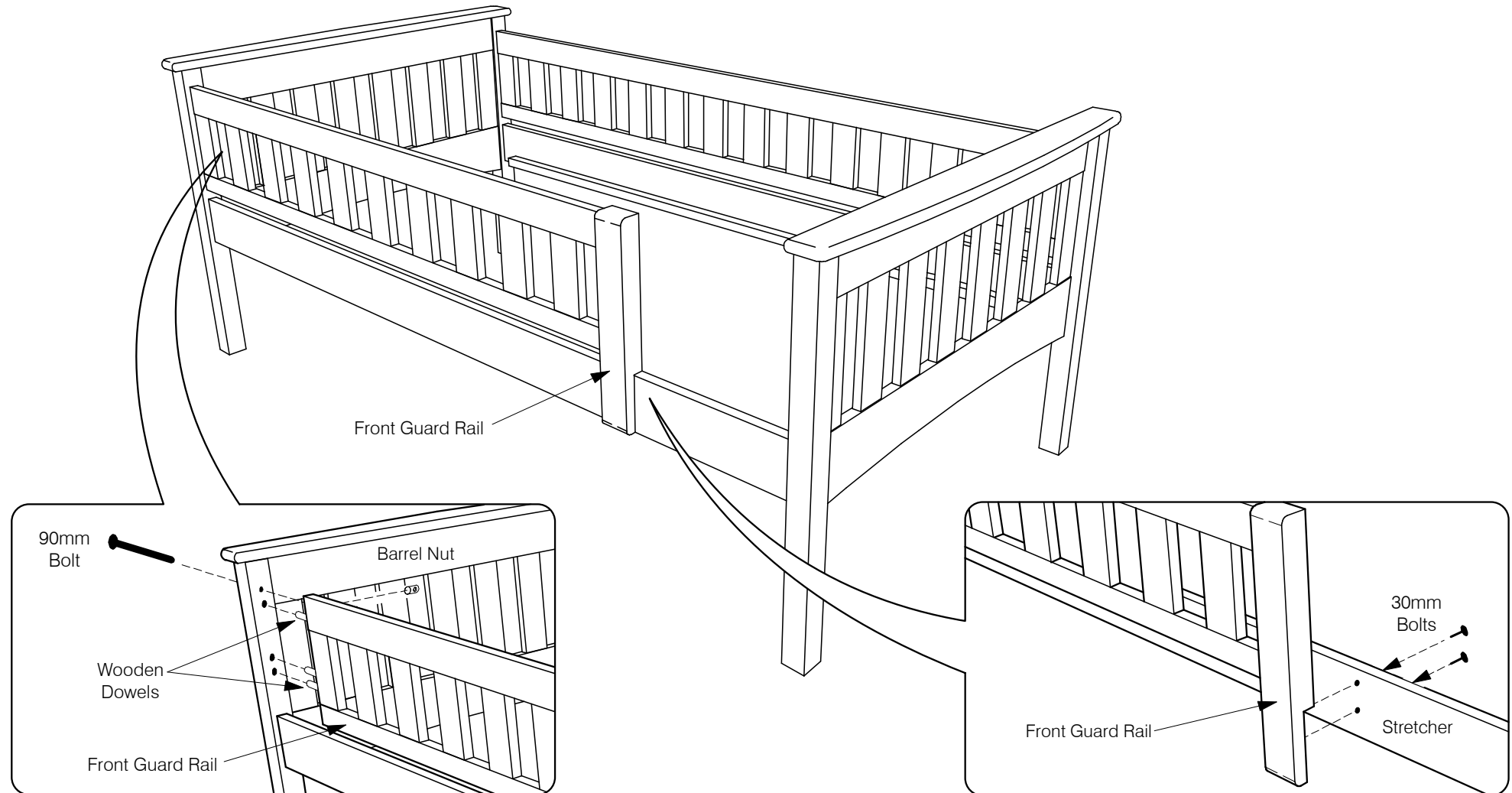
# Assembly Instructions

## Ginger Twin Full Bunk Bed

N&D 0808

### 5A Attach the Front Guard Rail to the Upper Bunk.

Tap Wooden Dowels into the ends of the Front Guard Rail. Use the 90mm Bolts and Barrel Nuts fix it in place. The Front Guard Rail attaches to the Stretcher using the 30mm Bolts.



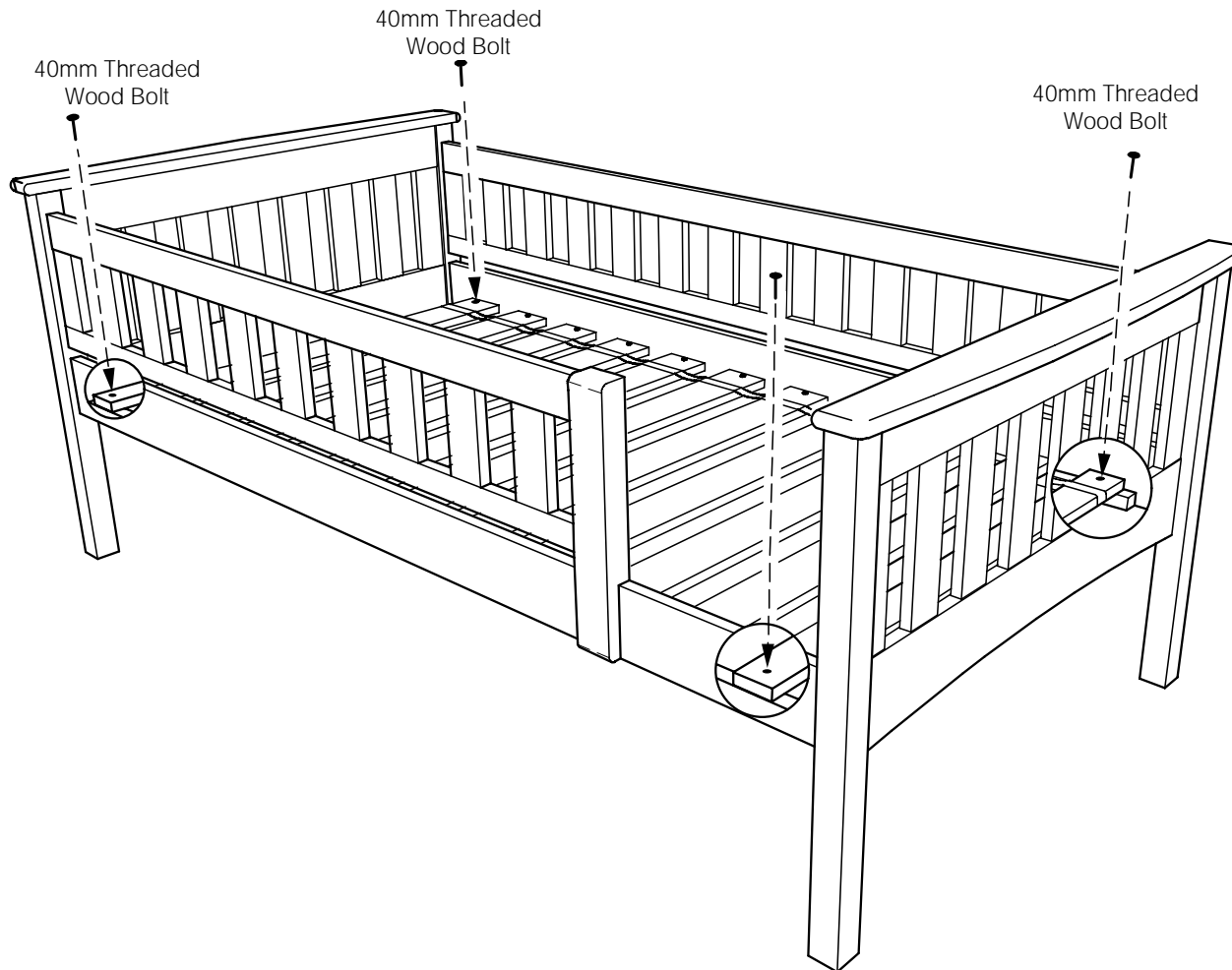
# Assembly Instructions

## Ginger Twin Full Bunk Bed

N&D 0207

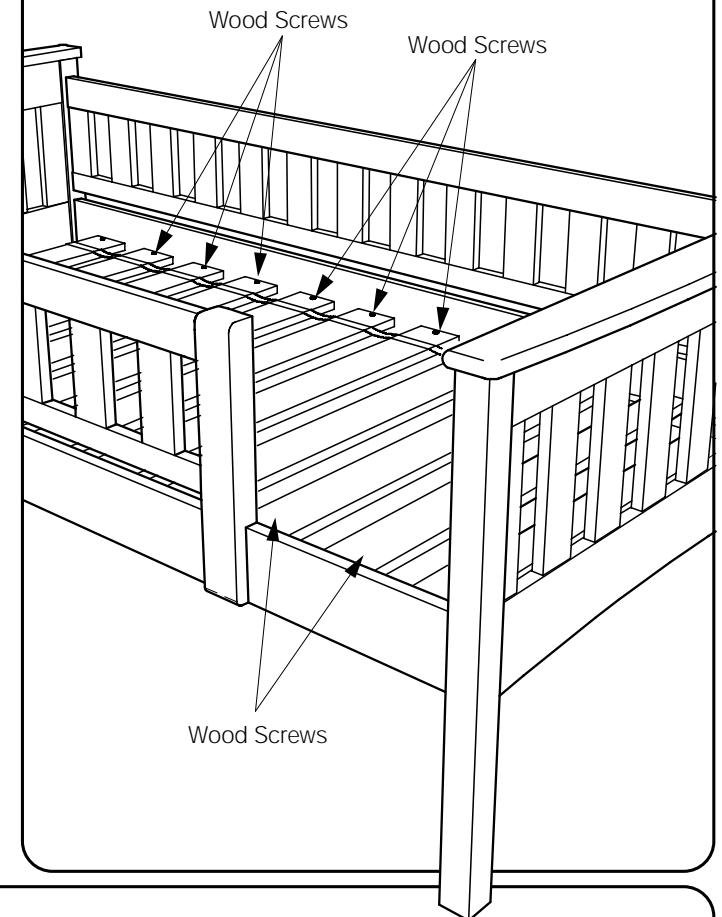
### 6A Bolt the short Slats to the Stretchers.

Lay the Slats inside the Stretchers as shown below, and Bolt in place with the 40mm Threaded Wood Bolts (total 4 Bolts.)



### 6B Fix the Remaining Slats with screws.

Use the wood screws to fix the remaining slats to the Stretchers (total 18 screws.) An electric screwdriver will make this much easier.



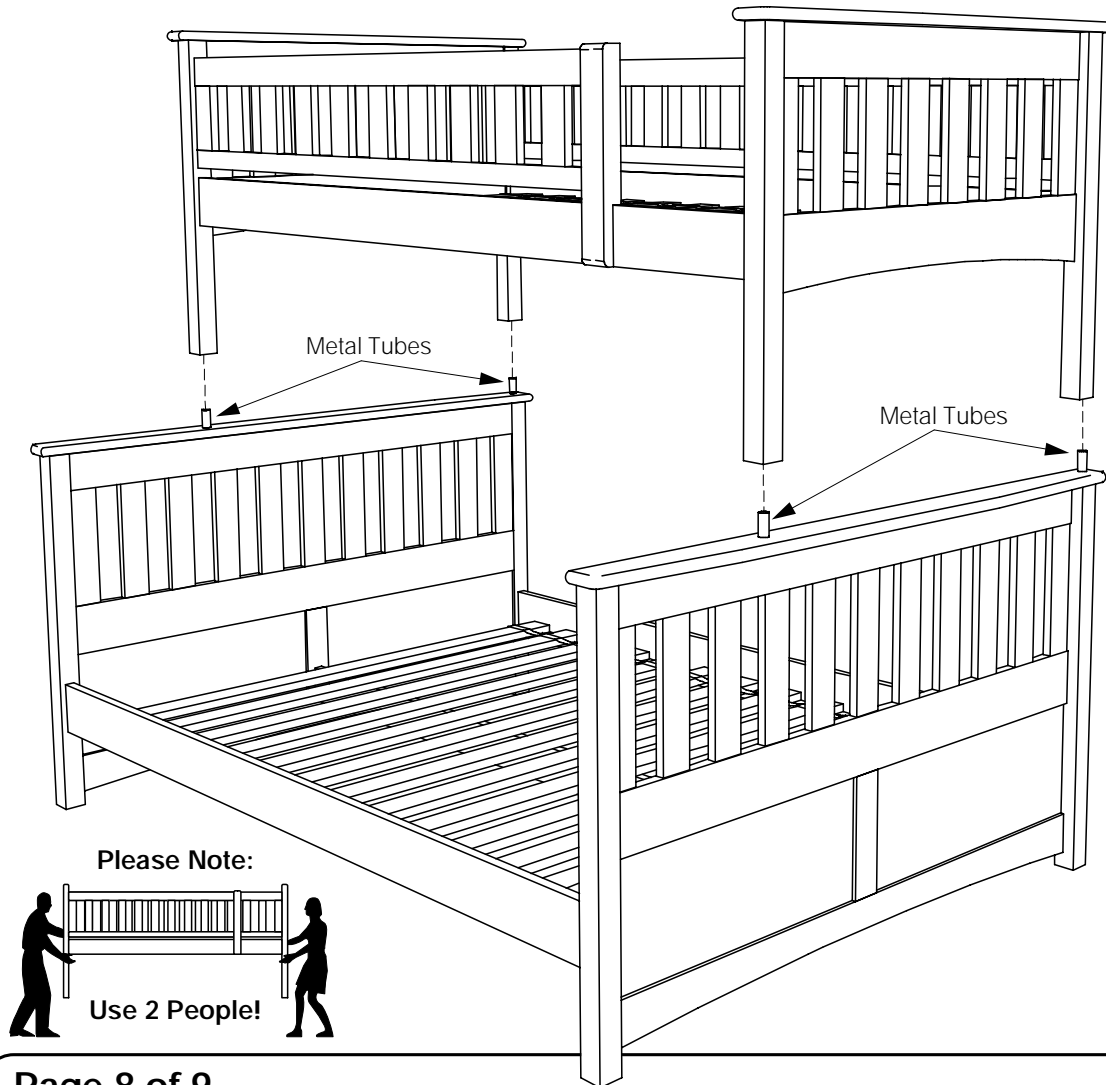
# Assembly Instructions

## Ginger Twin Full Bunk Bed

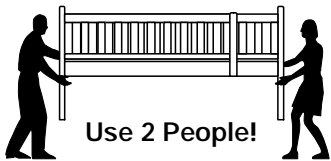
N&D 0207

### 7A Fit the Upper Bunk onto the Lower Bunk.

Fit the Metal Tubes into the holes on the top of the Upper Bunk.  
Carefully Lift the Top Bunk onto the Lower Bunk.



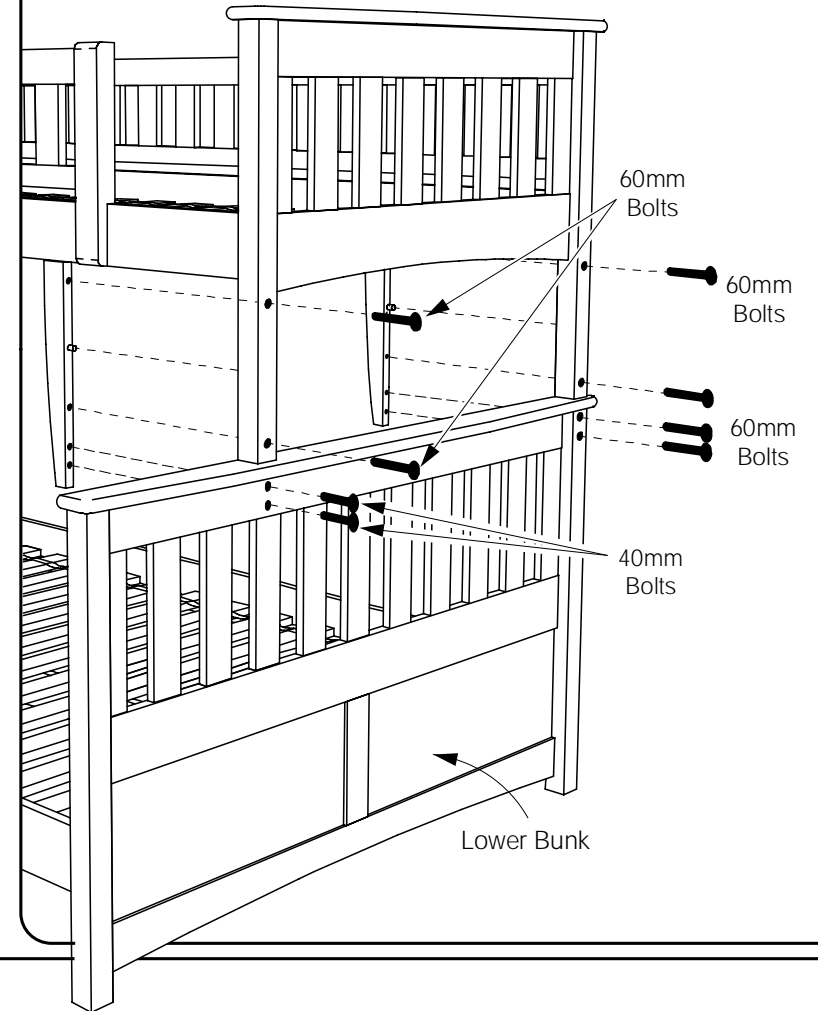
Please Note:



Use 2 People!

### 7B Fit the Brackets to the Legs.

Use the 60mm Bolts to fix the Brackets to the Upper Bunk and 40mm Bolts to the Lower Bunk.





*Assembly Instructions*  
**Ginger Twin Full Bunk Bed**

N&D 0207

**8A** Attach the Ladder to the Upper Stretcher.

Finally, hook on the Ladder onto the Upper Stretcher. Use the 16mm Wood Screws to fix the Ladder in place.

- Please take note of the warnings shown on page one of these instructions, printed on the carton box and on stickers on the Bunk bed.

