

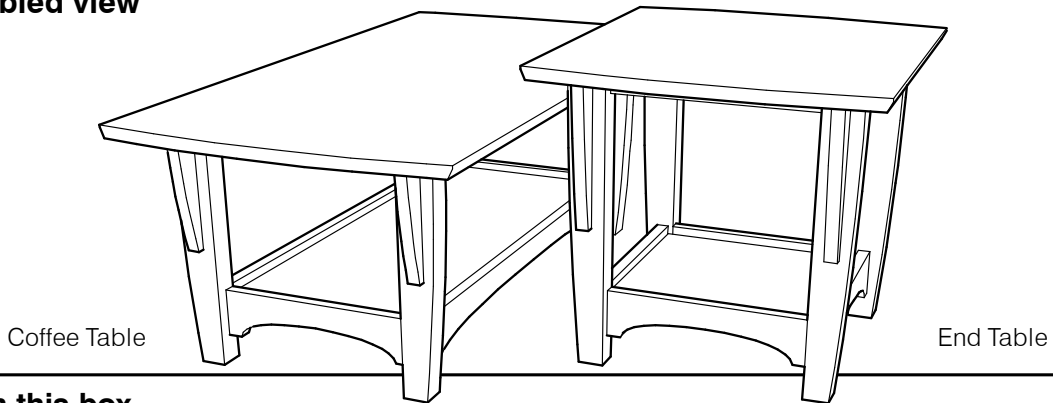
# Assembly Instructions

# FUTON ACCESSORIES EVENING TABLE

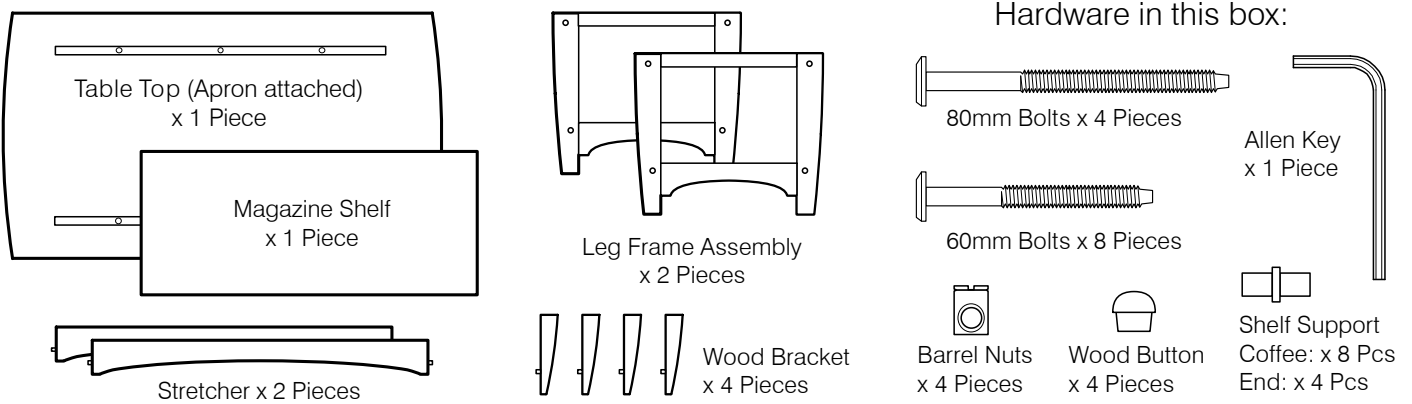
This instruction shows Coffee Table assembly. Procedure is the same for both sizes.

N&D-0301

## 1 Assembled view



## 2 Parts in this box

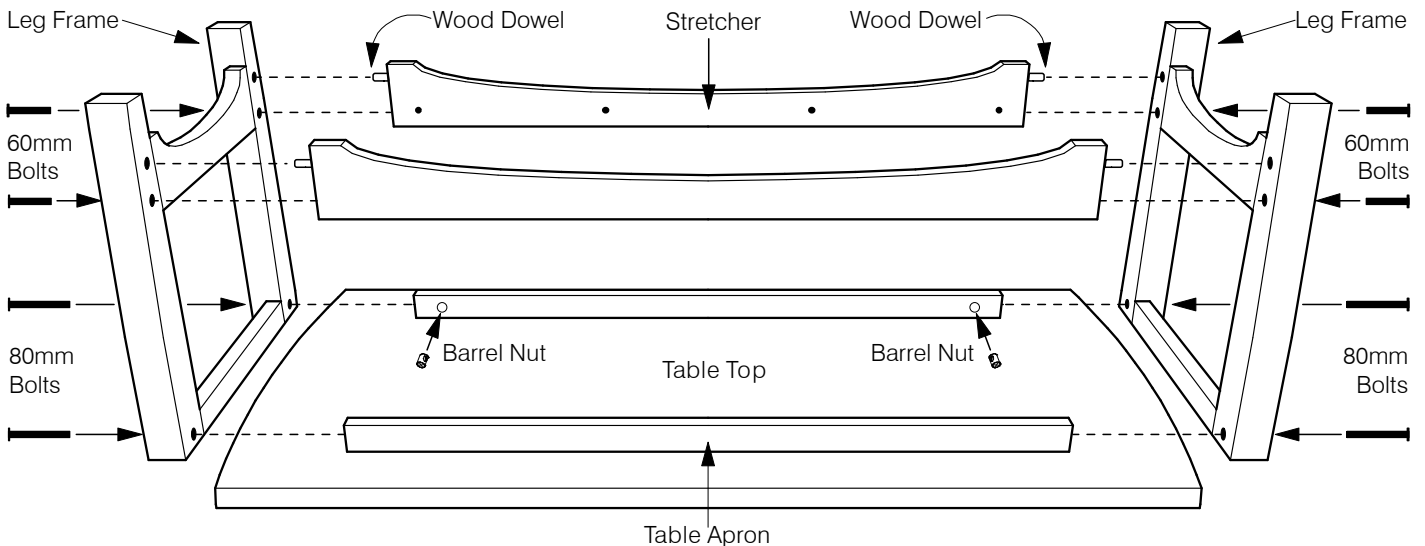


## 3 Assembly Procedure

1. Turn the Table Top upside down as shown on diagram. Be sure that the Table Top is laying on a flat smooth surface.
2. Attach the Leg Frames to the Apron using the Bolts and Barrel nuts as shown below. - LEAVE BOLTS VERY LOOSE!
3. When all parts are assembled, gently tighten all the Bolts.

### Helpful Tips: Fastening of Bolts

- ✓ Check that all holes are free of wood chips and sawdust.
- ✓ A screwdriver will help in aligning the Barrel Nut hole with the Bolt.
- ✓ Screw the Bolt in gently to avoid stripping the threads.



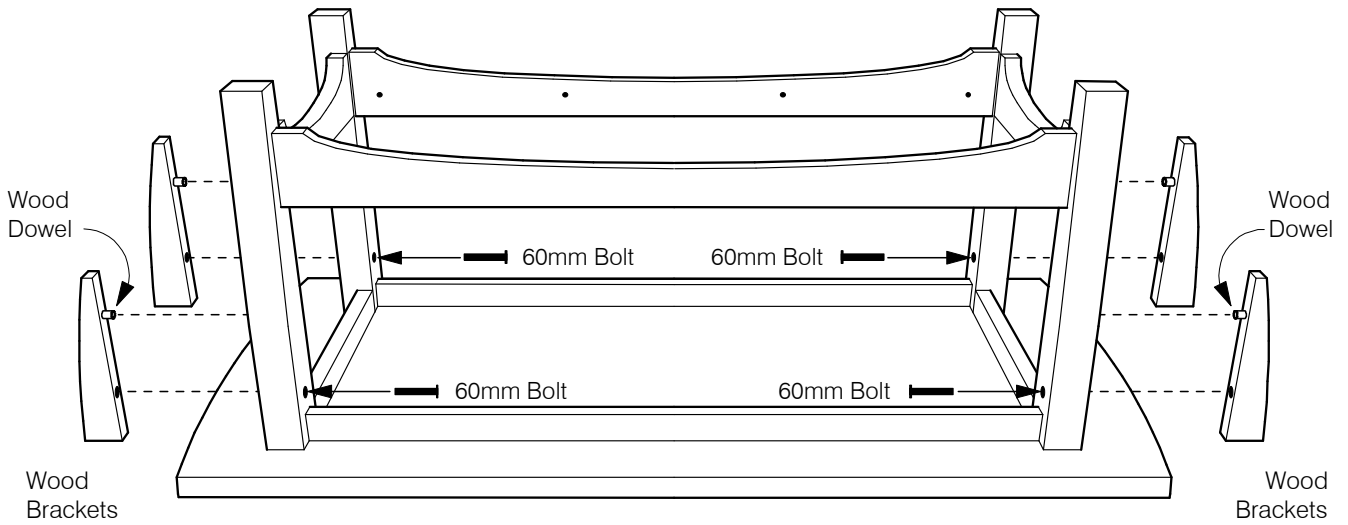
# Assembly Instructions

## FUTON ACCESSORIES **EVENING TABLE**

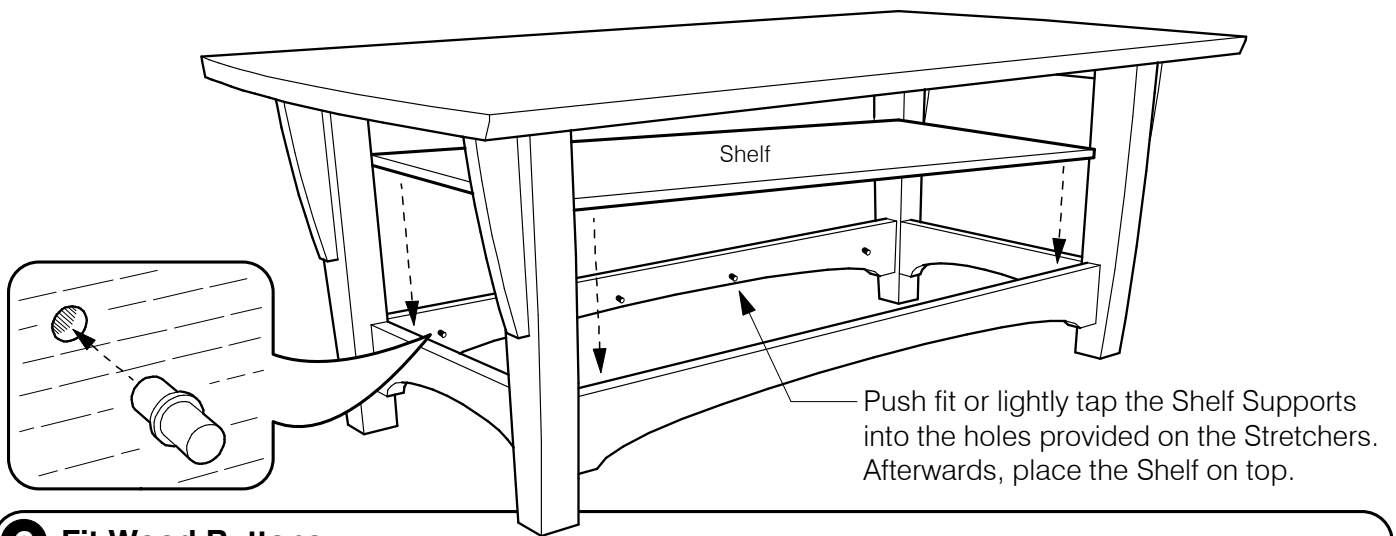
This instruction shows Coffee Table assembly. Procedure is the same for both sizes.

N&D-0301

### 4 Fit Wood Brackets to Legs



### 5 Fit Shelf Supports and place the Shelf on top



### 6 Fit Wood Buttons

