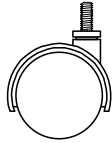


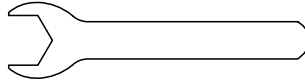
Assembly Instructions Clove Mobile Drawers Unit

1008

1 Hardware in this Box.

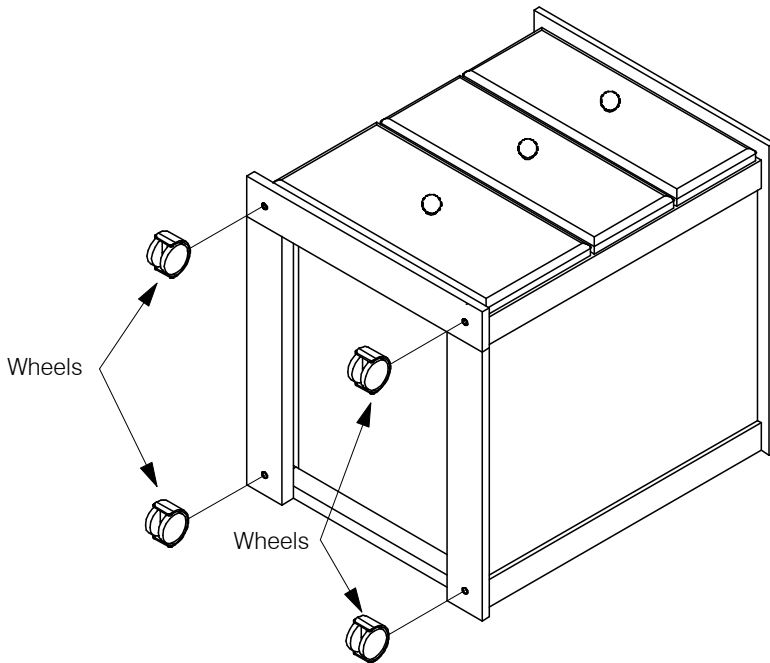


Wheels **x 4**



Wrench **x 1**

2 Fix the Wheels.



Carefully unpack the drawer unit and lay it on its back, using a towel or sheet to protect your floor. Fix the Wheels into the holes provided on the bottom with the Wrench.

!!! Be careful not to tip the unit forward,
as the drawers can slide open unexpectedly.