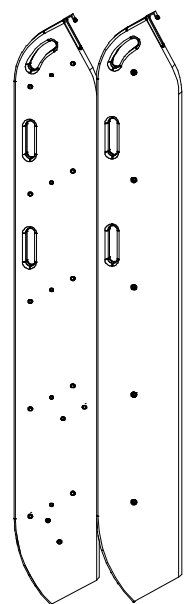


Please Note: • *The sequence of assembly is important.*
• *Please follow these instructions carefully.*

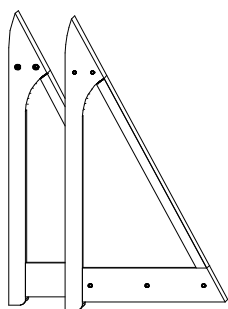
1A Parts in this Box:



Stair Stringer x 2
(Left & Right hand)



Wood Extension x 2



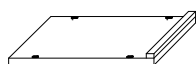
Side Panel x 2
(Left & Right hand)



Shelf Support x 2
(Left & Right hand)



Inside Panel x 1



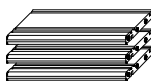
Shelf x 1



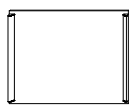
Top Step (A) x 1



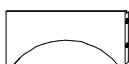
Fourth Step (B) x 1



Lower Step (C) x 3

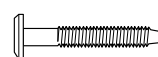


Stair Riser x 4



Bottom Stair Riser x 1

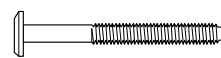
1B Hardware in this Box:



35mm Bolts
x 32



16mm Wood
Screws x 8



60mm Bolts
x 4



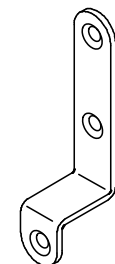
Adjustable
Foot x 2



Wood Dowel
x 24



Felt Pad
x 2

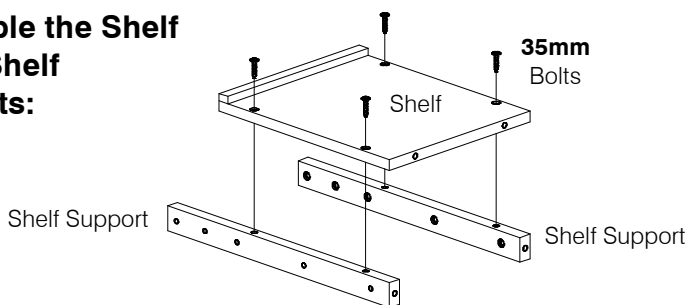


Metal
Bracket x 2

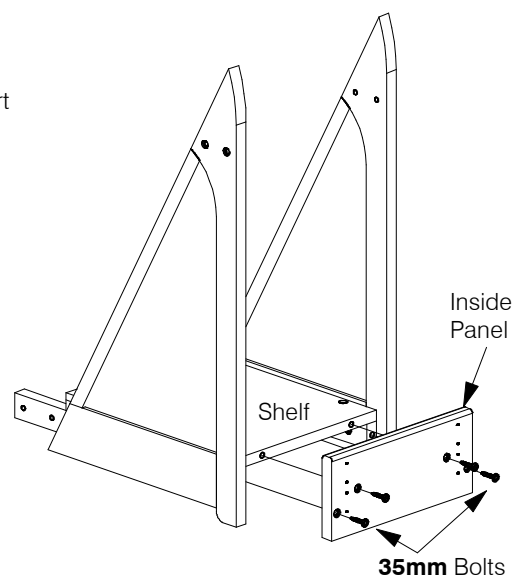


Allen Key x 1

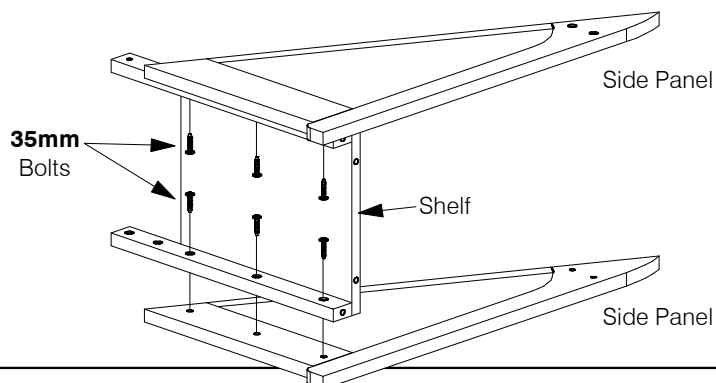
1C Assemble the Shelf to the Shelf Supports:



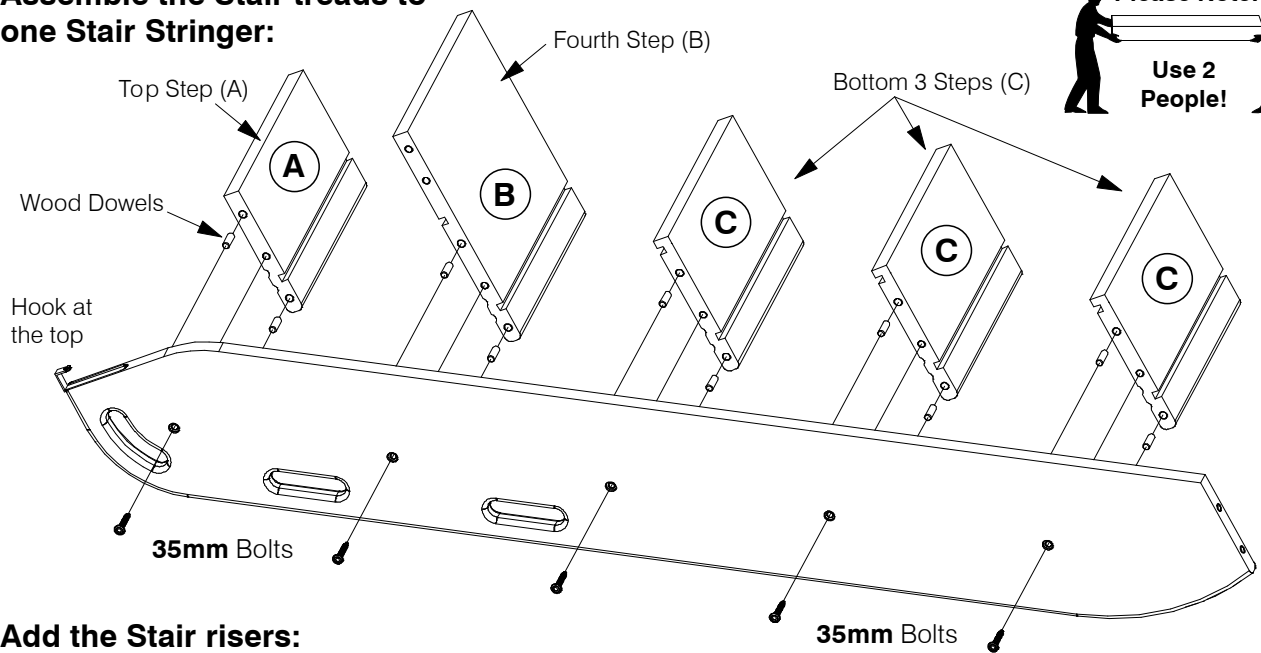
1E Assemble the Inside Panel:



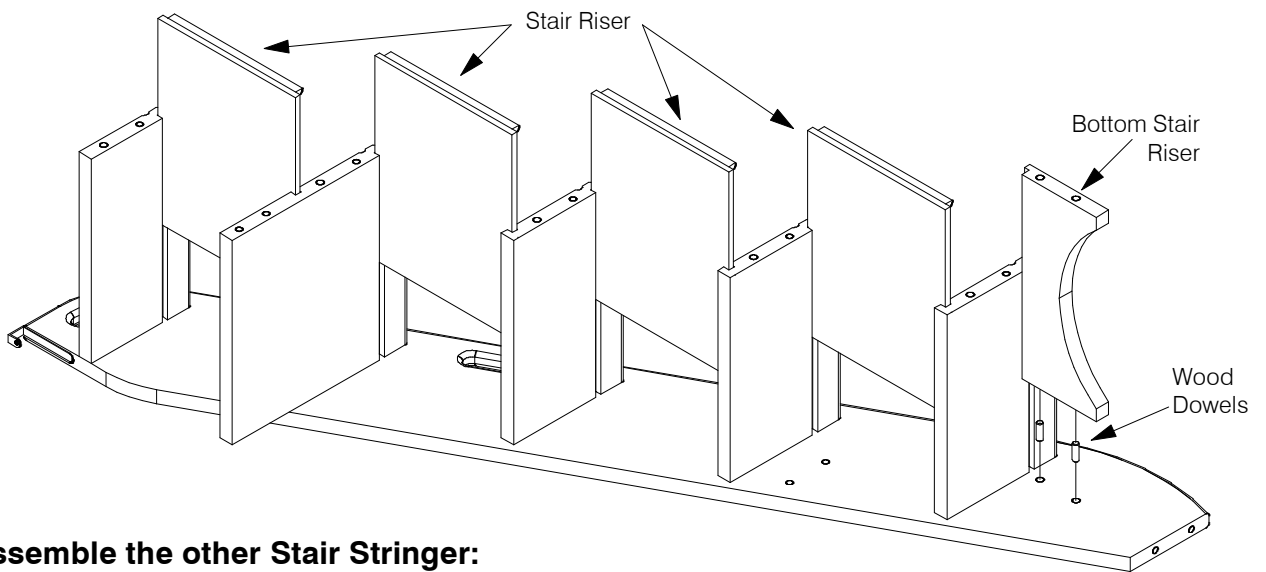
1D Assemble the Side Panels:



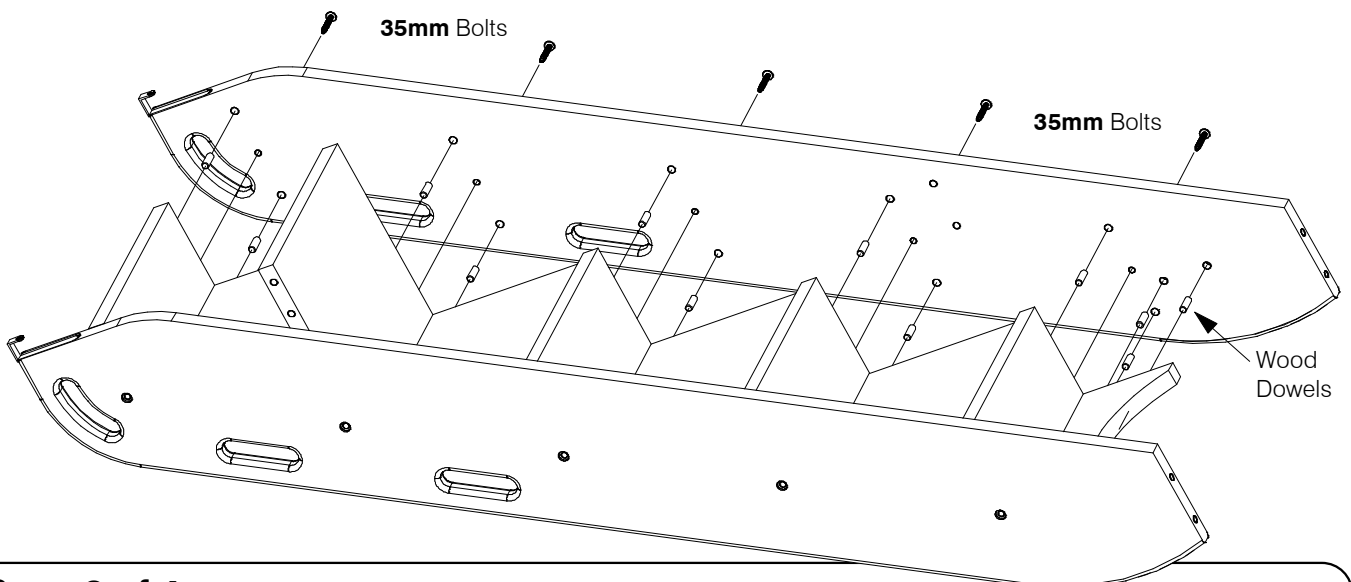
2A Assemble the Stair treads to one Stair Stringer:



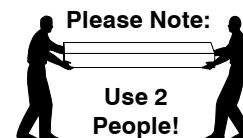
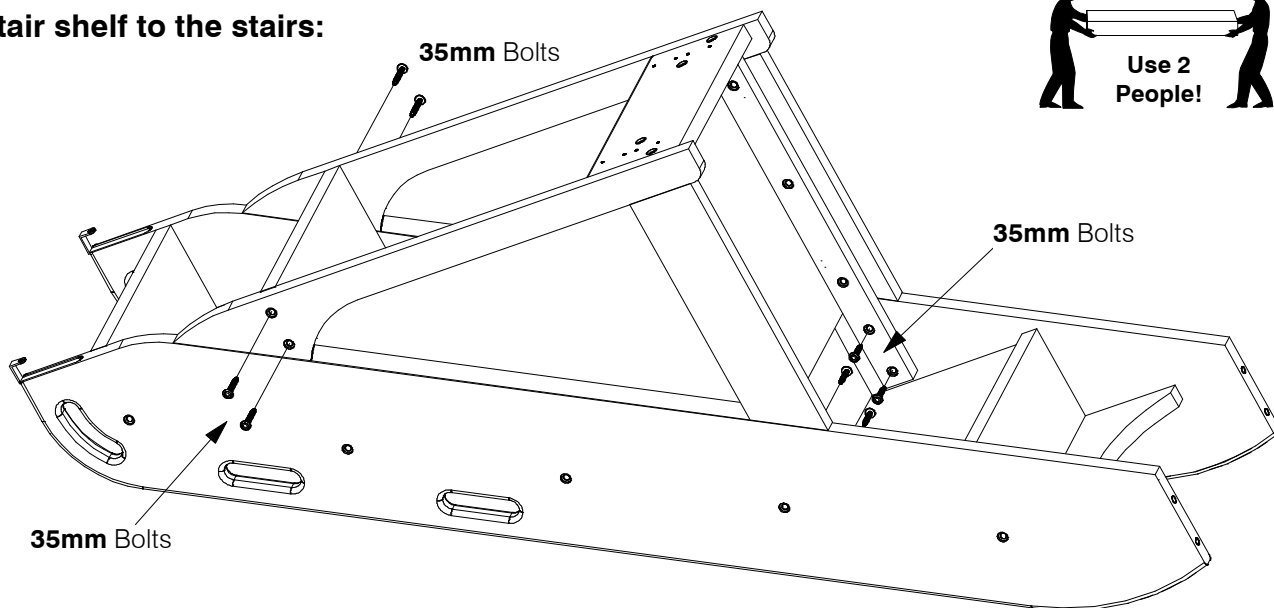
2B Add the Stair risers:



2C Assemble the other Stair Stringer:



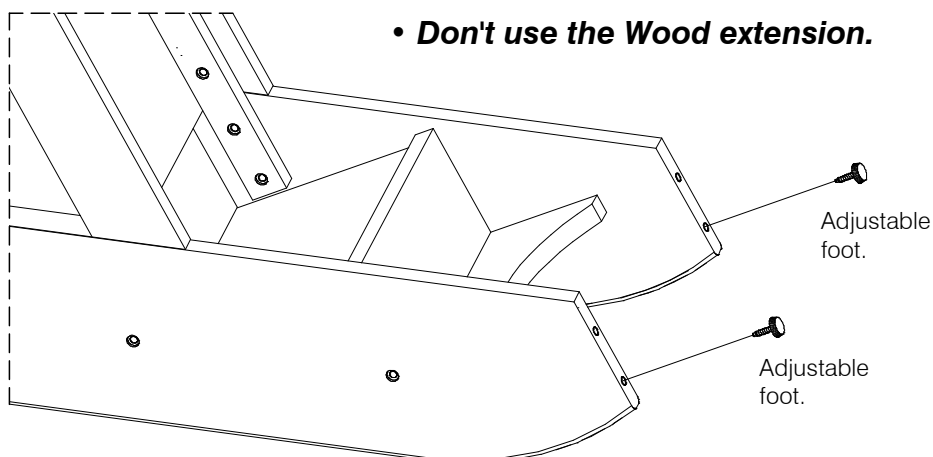
3A Attach the assembled
Stair shelf to the stairs:



3B Add the Adjustable Feet:

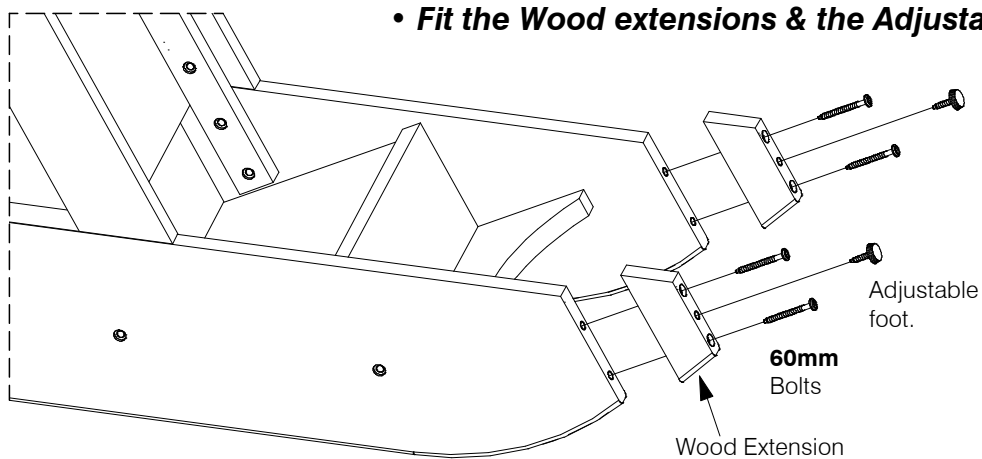
With Twin-Twin bunks:

- Only fit the adjustable feet.
- Don't use the Wood extension.

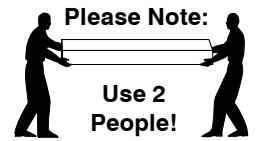
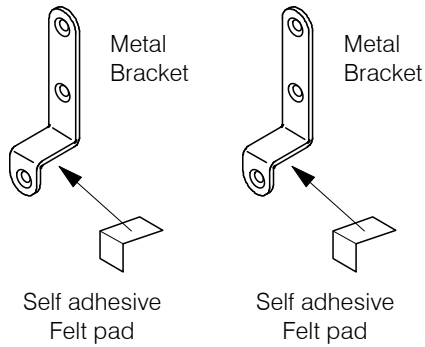


With Full-Full bunks:

- Fit the Wood extensions & the Adjustable feet.



4A Fit the Felt pads to the Metal Brackets



4B Hook the Stair onto the Bunk Bed and fix in place with the Metal Brackets and 16mm screws.

