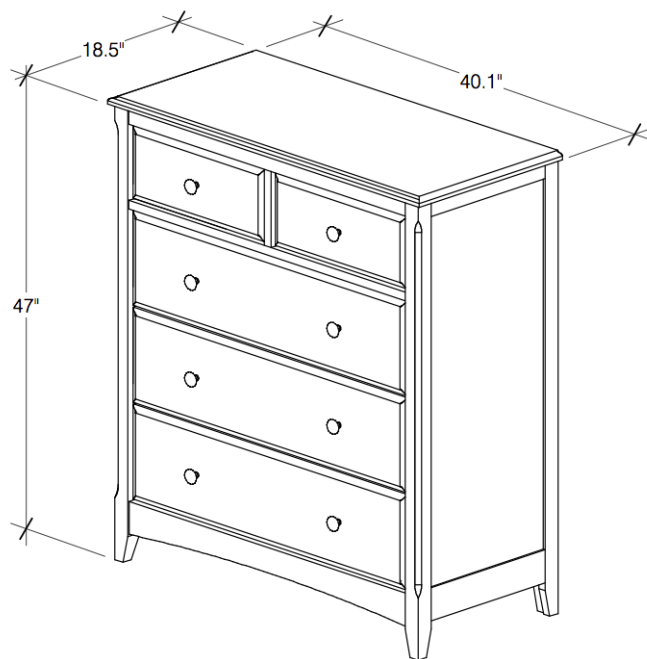
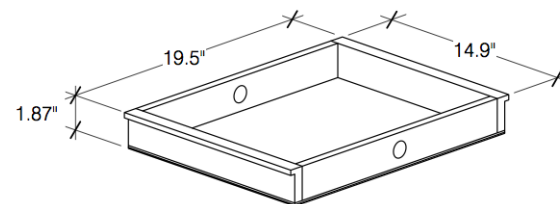


****Note: Secrets Tray is included**



**Spices Secrets 2
5 Drawer Chest**



Secrets Tray- Big

Spices Secrets 2: 5 Drawer Chest

	Box H	Box W	Box L	Cubes	Net Wt.	Gr. Wt.
CD-SEC2-5B-	1270mm	515mm	1060mm	0.693m3	65.0Kg	70.4Kg
	50.0"	20.3"	41.7"	24.48cuft	143.3lb	155.2lb

Assembled Product and Carton Dimensions*

**Please Note The Above Weights and Measures may be subject to change without notice.*