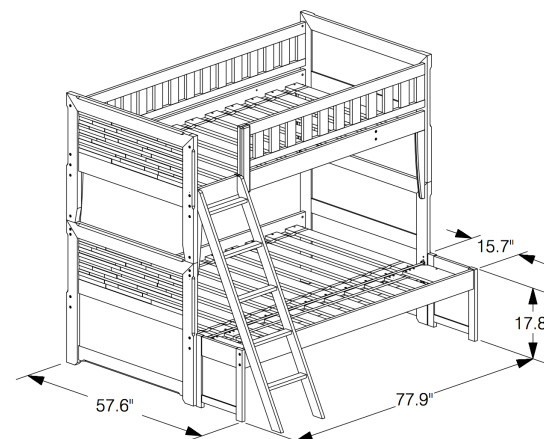


Dolphin Twin Twin Bunk

Dolphin Twin Twin Bunk (Packed in 3 Boxes)

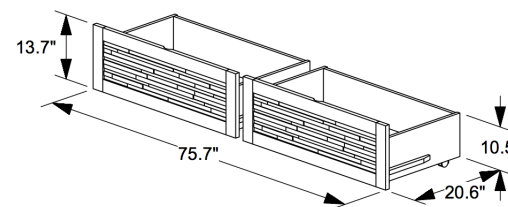
| | Box H | Box W | Box L | Cubes | Net Wt. | Gr. Wt. |
|---|-------|-------|--------|----------|---------|---------|
| Head & Footboards - Box 1 of 3 | 150mm | 500mm | 1150mm | 0.086m3 | 47.0Kg | 49.0Kg |
| PBH-DOL- Ladder & Rails - Box 2 of 3 | 5.9" | 19.7" | 45.3" | 3.05cuft | 103.6lb | 108.0lb |
| PBR- Slats - Box 3 of 3 | 200mm | 525mm | 2025mm | 0.213m3 | 34.5Kg | 36.5Kg |
| | 7.9" | 20.7" | 79.7" | 7.51cuft | 76.1lb | 80.5lb |
| | 220mm | 245mm | 1035mm | 0.056m3 | 16.5Kg | 18.5Kg |
| | 8.7" | 9.6" | 40.7" | 1.97cuft | 36.4lb | 40.8lb |



Dolphin Twin Full Bunk : Extension Kit

Dolphin Twin Full Bunk

| | Box H | Box W | Box L | Cubes | Net Wt. | Gr. Wt. |
|-------------------------|-------|-------|--------|----------|---------|---------|
| Twin Full Extension Kit | 90mm | 510mm | 2000mm | 0.092m3 | 13.0Kg | 16.5Kg |
| PBX-TWN/FUL- | 3.5" | 20.1" | 78.7" | 3.24cuft | 28.7lb | 36.4lb |



Cape Cod Storage Drawers (1 Pair per Box)

| | Box H | Box W | Box L | Cubes | Net Wt. | Gr. Wt. |
|--------------|-------|-------|--------|----------|---------|---------|
| Twin/Full | 124mm | 512mm | 1062mm | 0.067m3 | 23.0Kg | 24.0Kg |
| PDR-TWN/FUL- | 4.9" | 20.2" | 41.8" | 2.38cuft | 50.7lb | 52.9lb |

Assembled Product and Carton Dimensions*

**Please Note The Above Weights and Measures may be subject to change without notice.*



Night & Day Furniture
www.nightanddayfurniture.com

SPICES COLLECTION : CAPE COD GROUP

Dolphin

Twin Twin & Twin Full Bunk