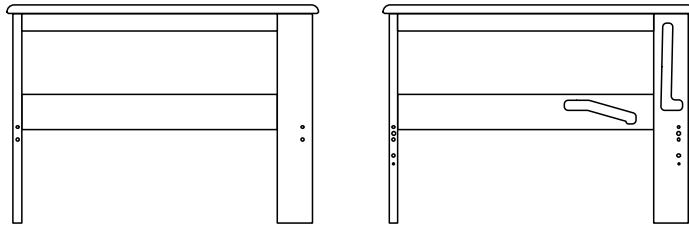
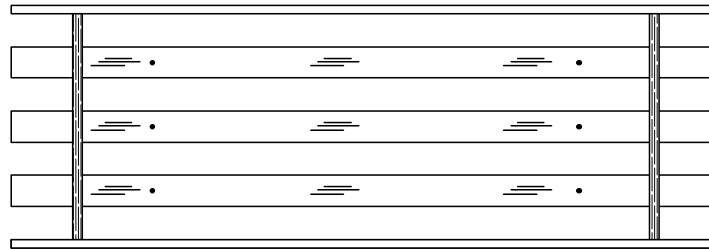


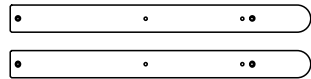
1A Parts in this box.



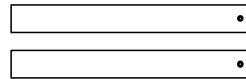
Arms **x 2**



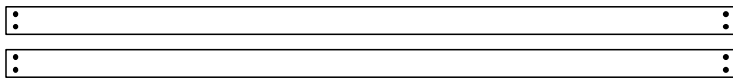
Back Rails and Slats **x 1**



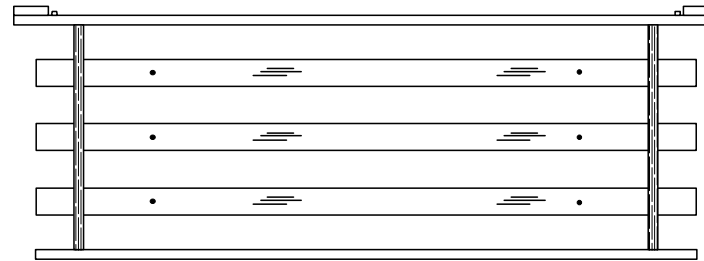
Back Side Rails **x 2**



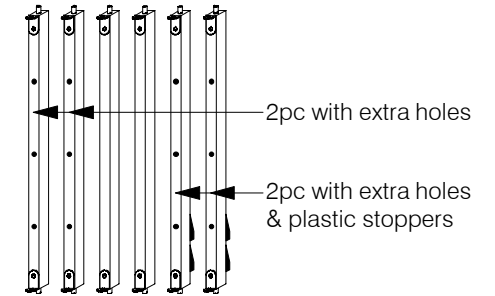
Seat Side Rails **x 2**



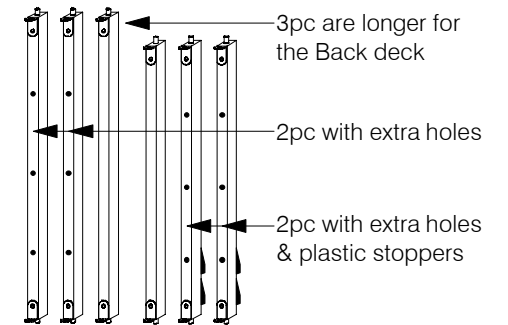
Stretchers **x 2**



Seat Rails and Slats **x 1**



Full Size: Slat Supports **x 6**



Queen Size: Slat Supports **x 6**

***Note:** Use 4pc of 100mm Bolts and 4pc of 60mm Bolts to attach the arms to the Stretchers.

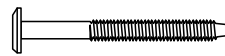
1B Hardware in this box.



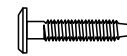
100mm Bolts **x 4**



80mm Bolts **x 4**



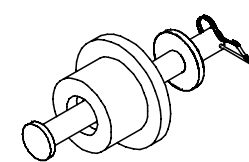
60mm Bolts **x 10**



30mm Bolts **x 12**



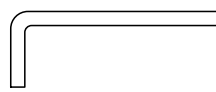
16mm Bolts **x 16**



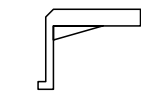
B3 Roller complete with Clevis pin, Washer and Locking pin **x 4**



Long Allen Key **x 1**



Clevis Pins **x 2**



Metal Bracket **x 4**



Wooden Dowels **x 18**

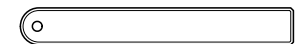


Barrel Nuts **x 18**

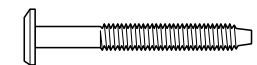


Wood Buttons **x 4**

1C Queen size only: Extra parts.



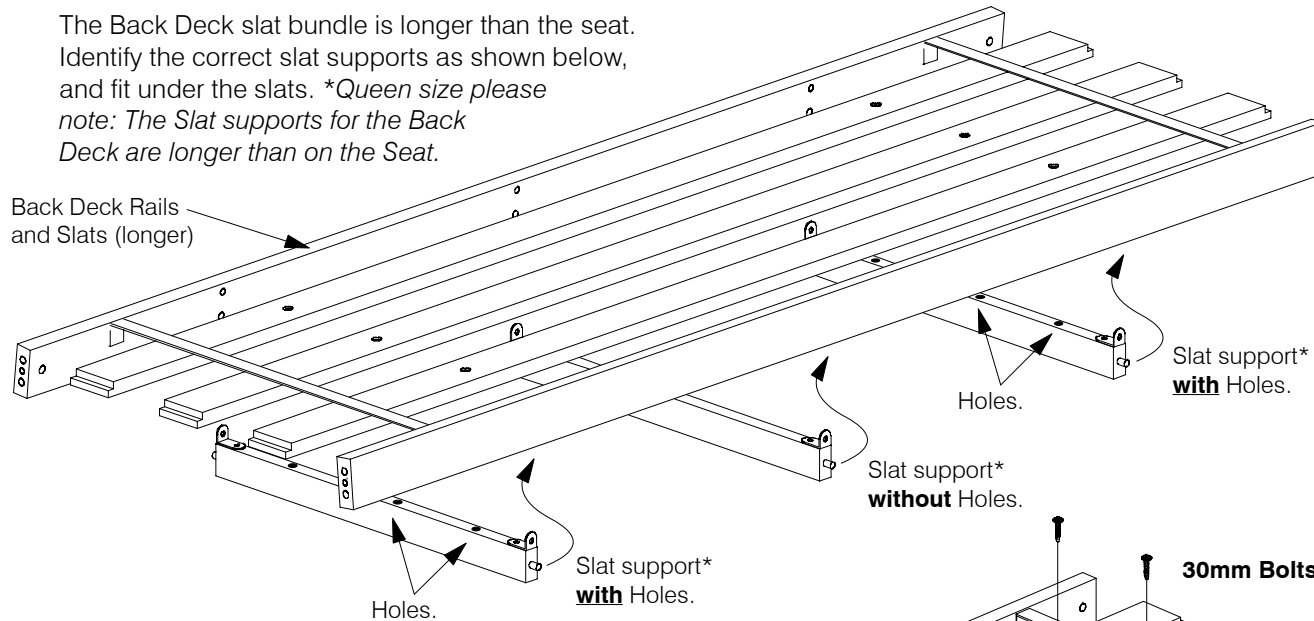
Short Legs **x 2**



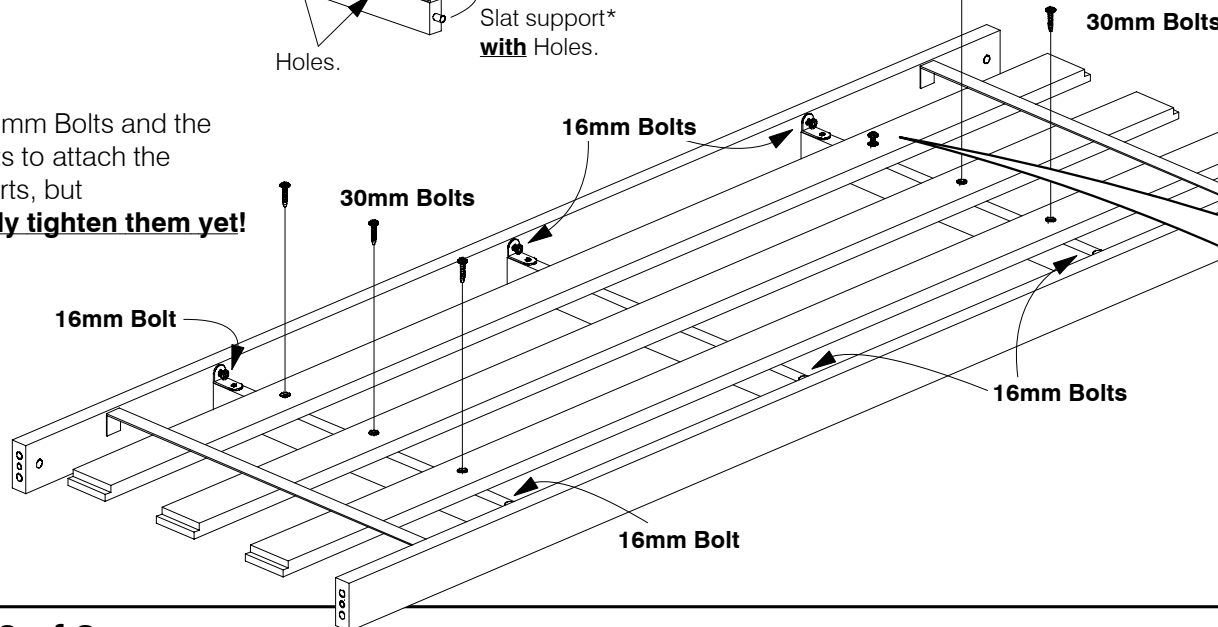
50mm Bolts **x 2**

2A Fit the Slat Supports to the Back Deck.

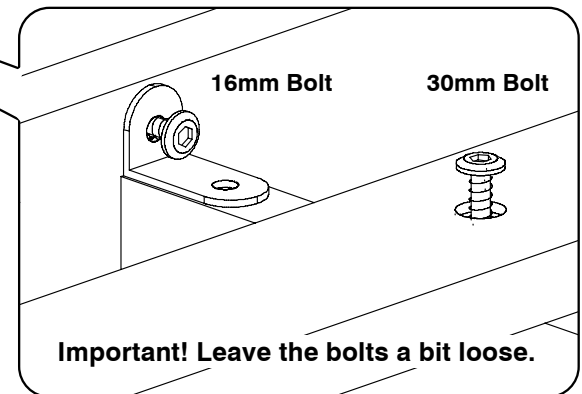
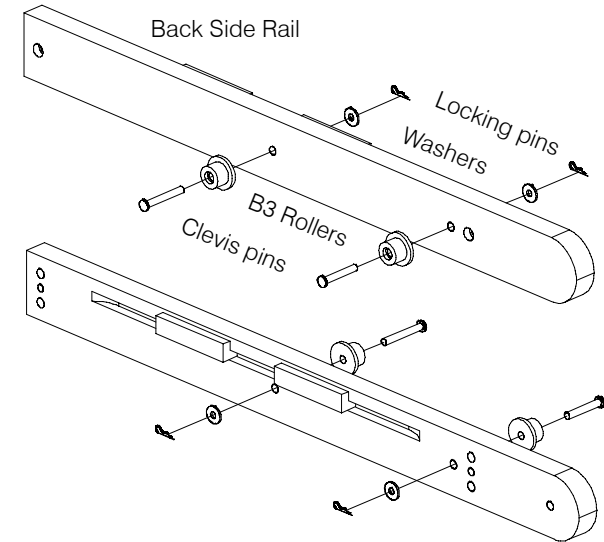
The Back Deck slat bundle is longer than the seat. Identify the correct slat supports as shown below, and fit under the slats. **Queen size please note: The Slat supports for the Back Deck are longer than on the Seat.*



Use the 16mm Bolts and the 30mm Bolts to attach the Slat supports, but **do not fully tighten them yet!**



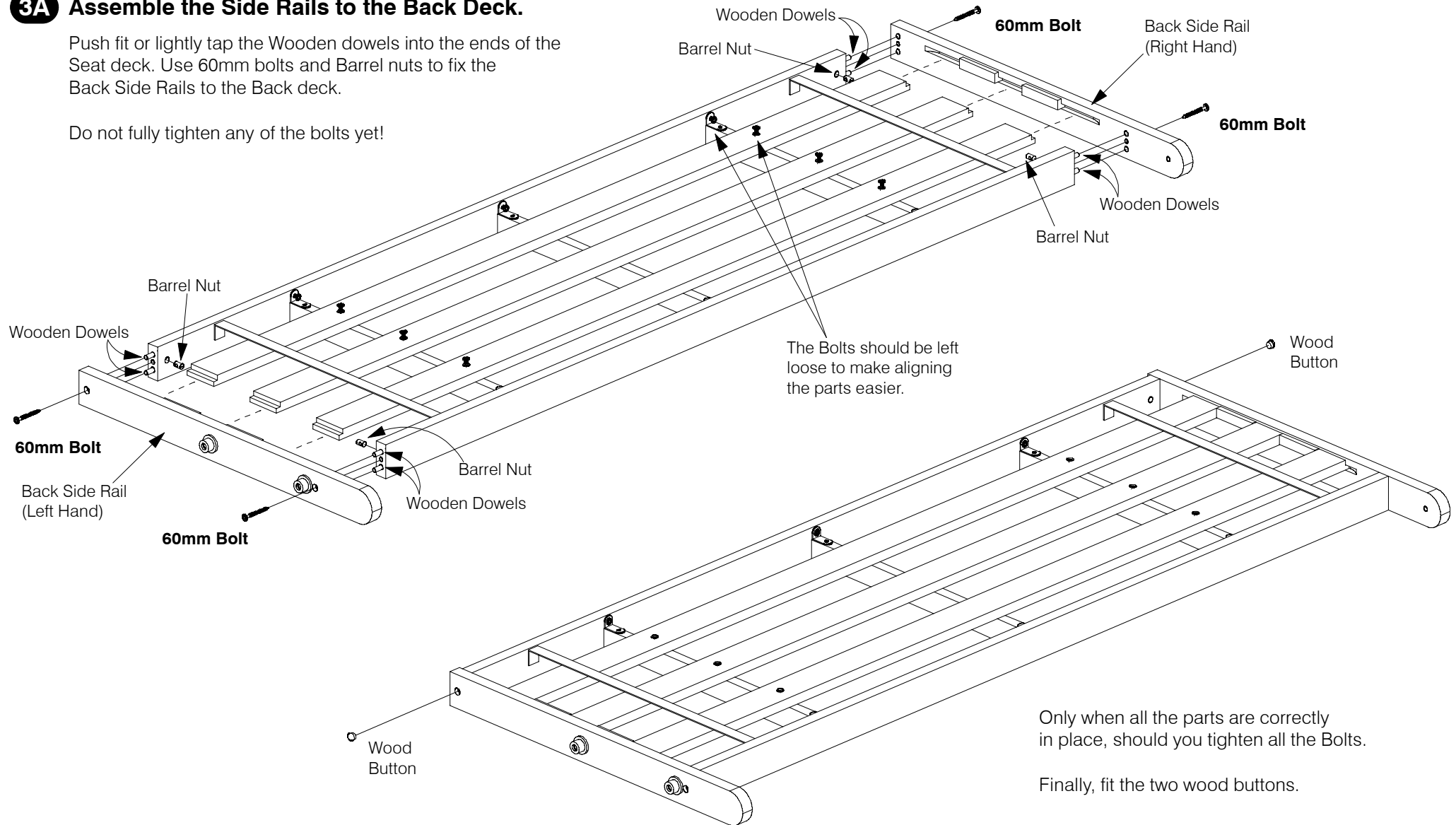
2B Fit the B3 Rollers to the Back Side Rails



3A Assemble the Side Rails to the Back Deck.

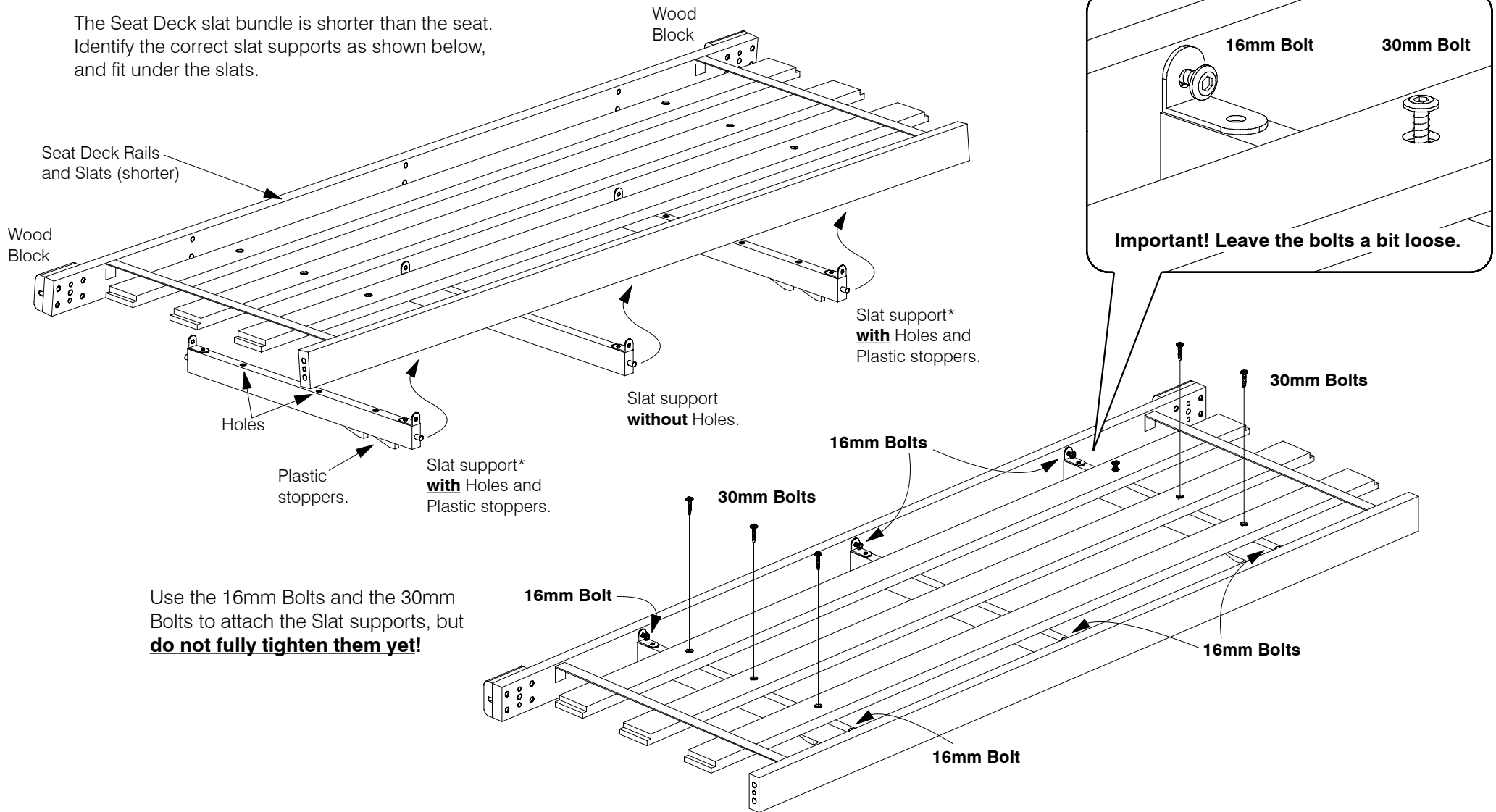
Push fit or lightly tap the Wooden dowels into the ends of the Seat deck. Use 60mm bolts and Barrel nuts to fix the Back Side Rails to the Back deck.

Do not fully tighten any of the bolts yet!



4A Fit the Slat Supports to the Seat Deck.

The Seat Deck slat bundle is shorter than the seat. Identify the correct slat supports as shown below, and fit under the slats.

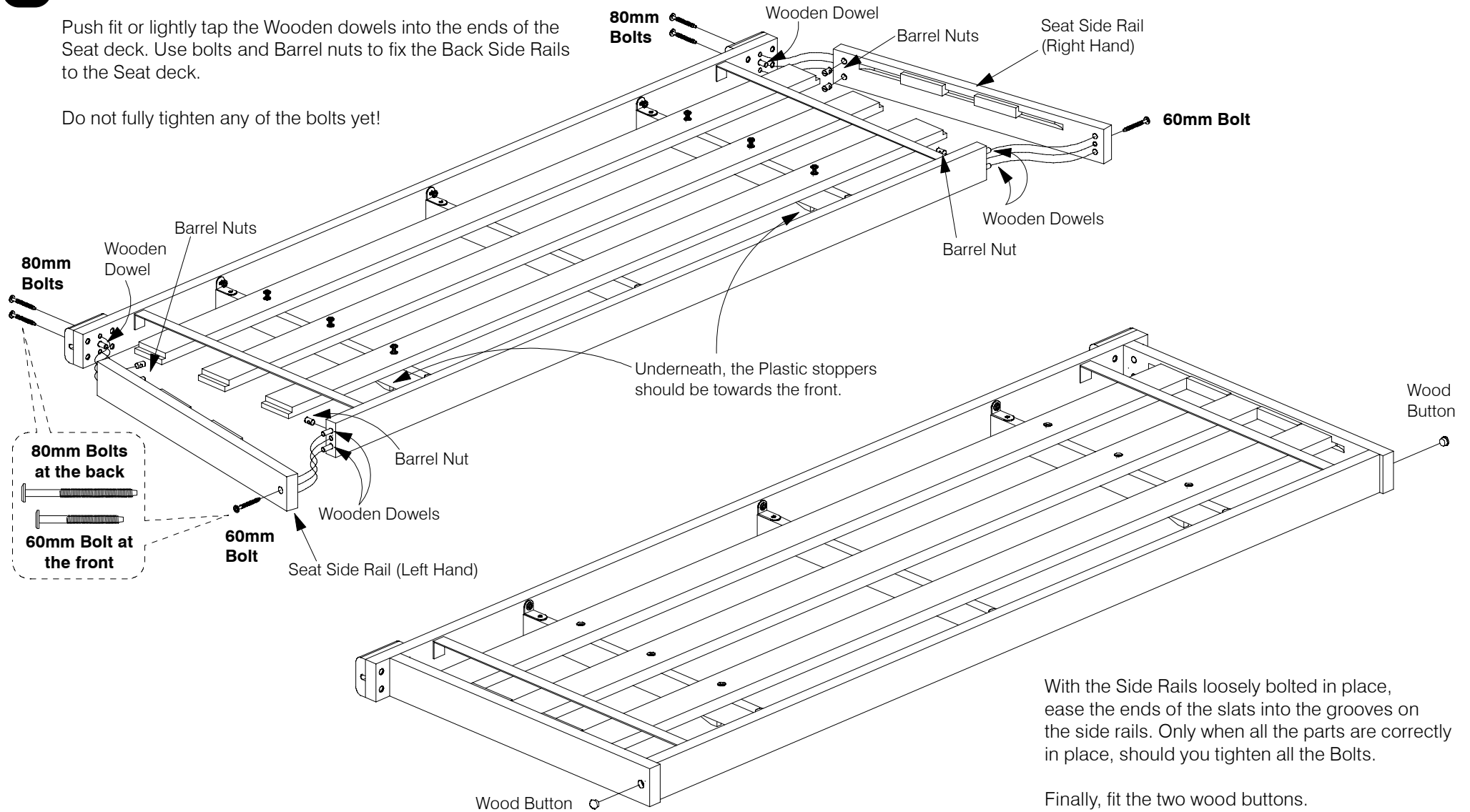


Use the 16mm Bolts and the 30mm Bolts to attach the Slat supports, but **do not fully tighten them yet!**

5A Assemble the Side Rails to the Seat Deck.

Push fit or lightly tap the Wooden dowels into the ends of the Seat deck. Use bolts and Barrel nuts to fix the Back Side Rails to the Seat deck.

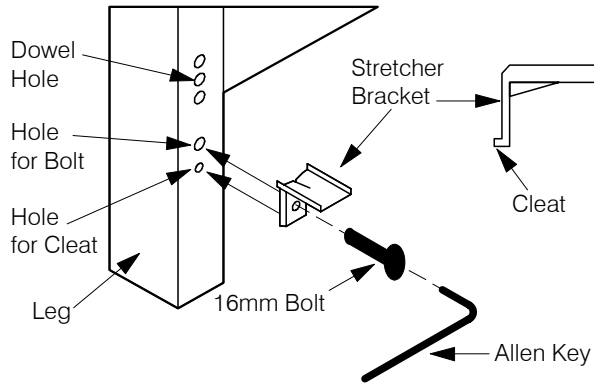
Do not fully tighten any of the bolts yet!



With the Side Rails loosely bolted in place, ease the ends of the slats into the grooves on the side rails. Only when all the parts are correctly in place, should you tighten all the Bolts.

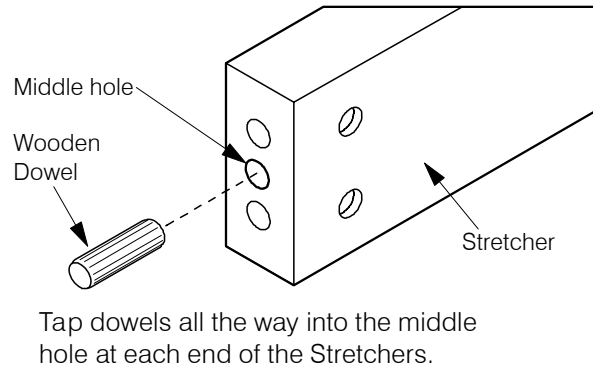
Finally, fit the two wood buttons.

6A Fasten Stretcher Brackets to the Arms:



- Insert the Stretcher Bracket Cleat into the hole provided.
- IMPORTANT:** Don't fully tighten Bracket until Stretchers are all in place for easy alignment.
- Each arm requires two brackets, front and back.

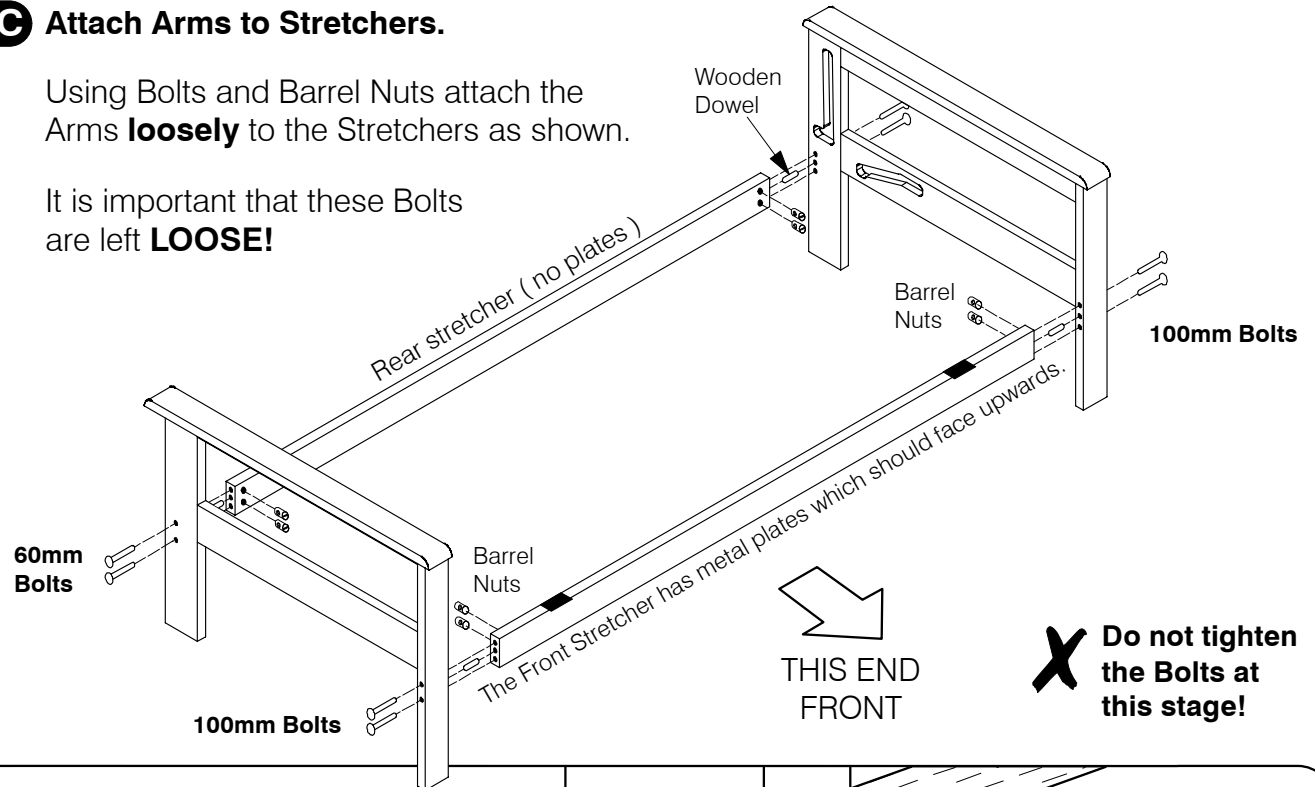
6B Fit Wooden Dowels to the Stretchers.



6C Attach Arms to Stretchers.

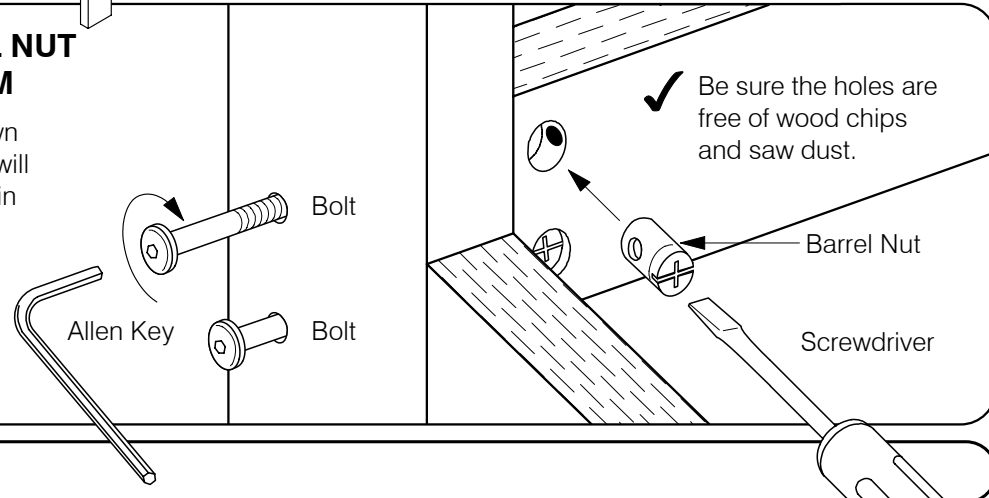
Using Bolts and Barrel Nuts attach the Arms **loosely** to the Stretchers as shown.

It is important that these Bolts are left **LOOSE!**



BOLT AND BARREL NUT ASSEMBLY SYSTEM

- ✓ Insert Barrel Nuts as shown using a screwdriver. This will help you position the Nut in line with the Bolt.
- ✓ Do not force the Bolt as you may strip the thread. Be sure the thread is properly started.



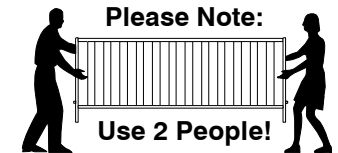
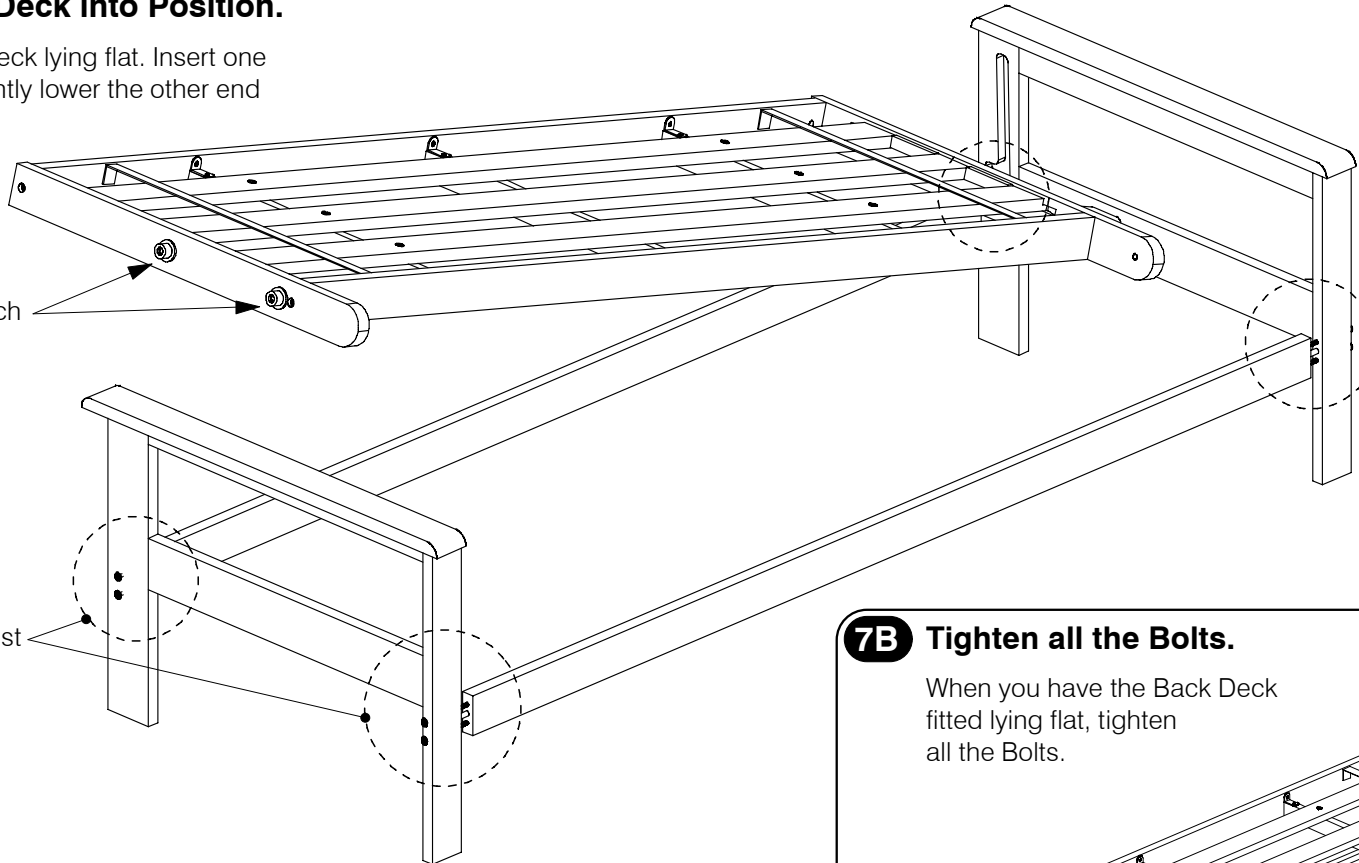
7A Fit the Back Deck into Position.

Insert the Back Deck lying flat. Insert one end first, then gently lower the other end into position.

CAREFUL!
These can scratch the Arms.

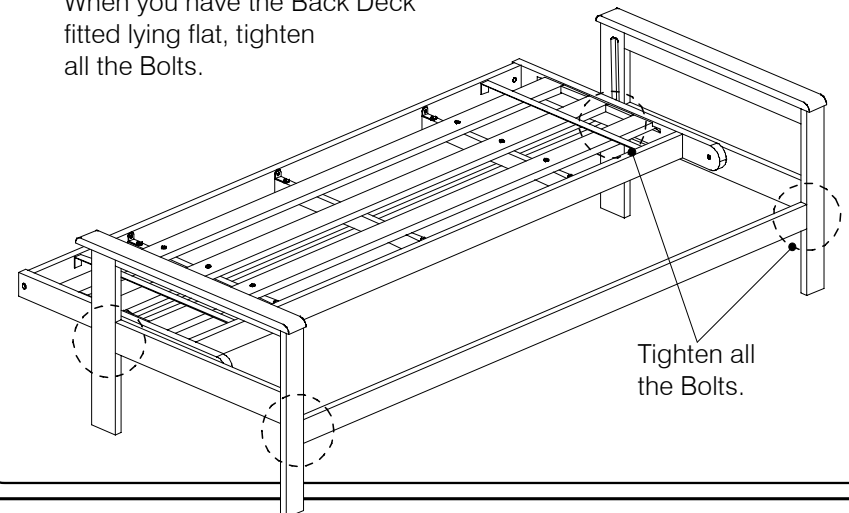
All four joints must be left **LOOSE**.

- ✓ Remember that the Bolts on the Arm should be **LOOSE**.
- ✗ Be careful not to scratch the Arms with the Plastic Runners when you lower the ends of the Back Deck.



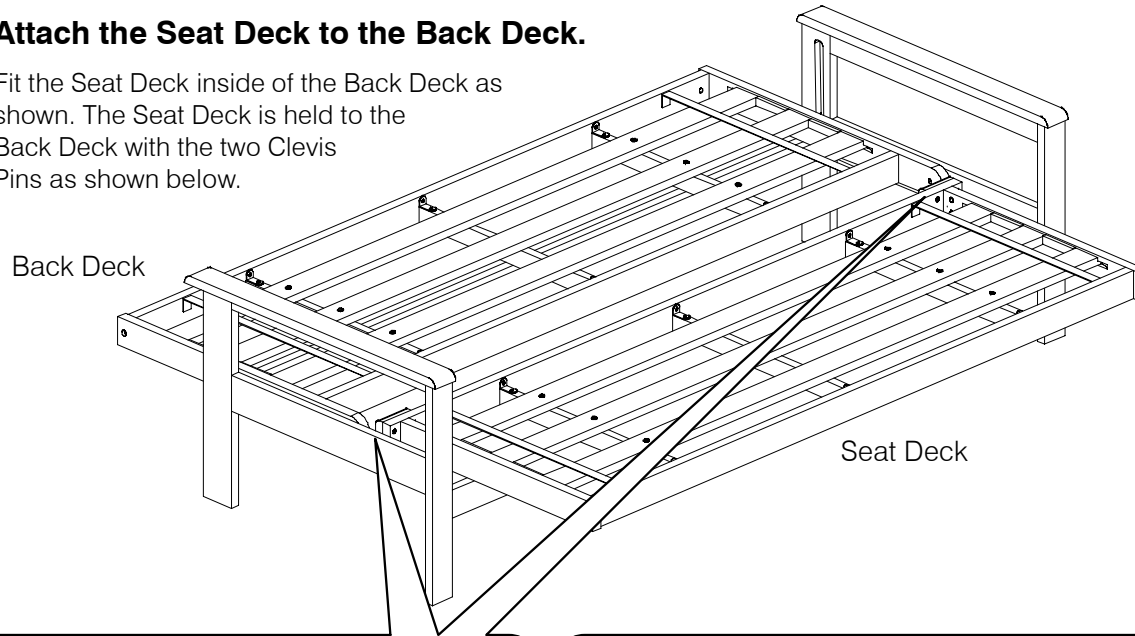
7B Tighten all the Bolts.

When you have the Back Deck fitted lying flat, tighten all the Bolts.



8A Attach the Seat Deck to the Back Deck.

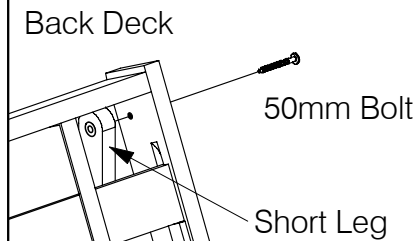
Fit the Seat Deck inside of the Back Deck as shown. The Seat Deck is held to the Back Deck with the two Clevis Pins as shown below.



8B Queen size only: Attach short legs.

Exposed part of the metal nut
50mm Bolt

Short Leg



Use the Clevis Pins to join the Seat and Back Deck.

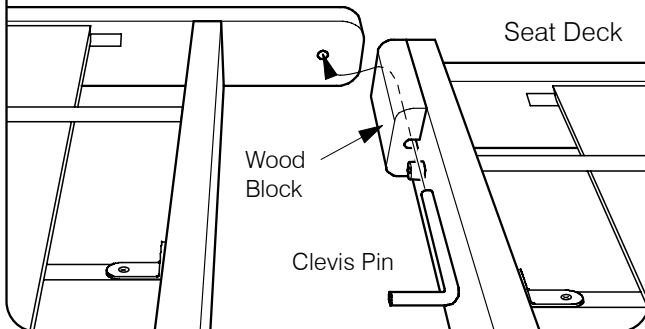
Carefully align the hole in the Wood Block on the Seat Deck with the hole in the Back Deck.

Back Deck

Seat Deck

Wood Block

Clevis Pin



Lock the Clevis Pin in place.

Rotate the Clevis Pin down so it is retained by the Plastic Stopper.

Back Deck

Seat Deck

Plastic Stopper

