

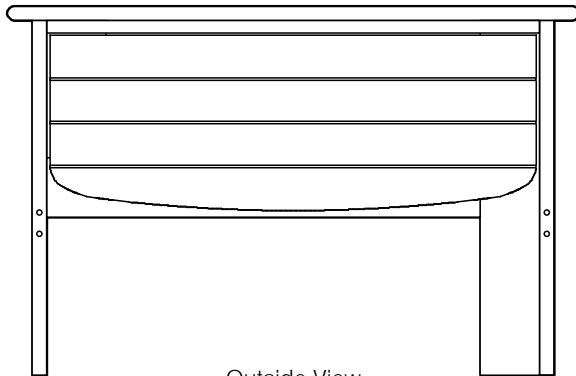
# Assembly Instructions

# BIFOLD FUTON FRAME FUTON ARMS

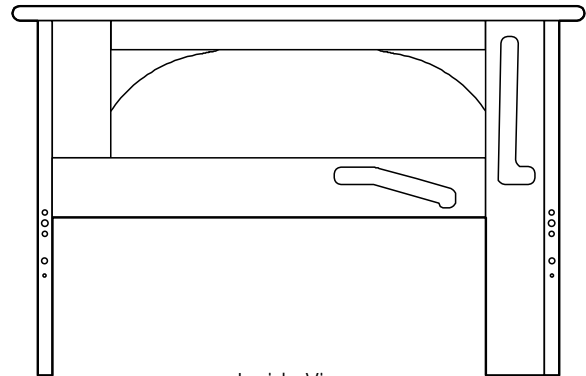
See below for Preparation of arms for assembly.

Savannah-0404

## 1 One pair of Bifold Arms

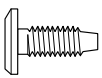


Outside View

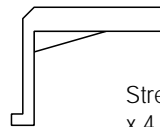


Inside View

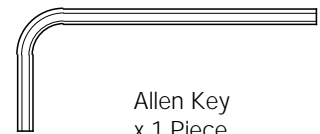
## 2 Hardware in this box



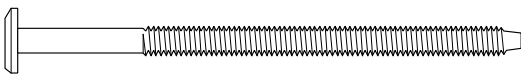
16mm Bolts x 4 Pieces:  
For the Stretcher Brackets



Stretcher Bracket  
x 4 Pieces



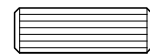
Allen Key  
x 1 Piece



100mm Bolts x 8 Pieces:  
For the Front & Back Leg

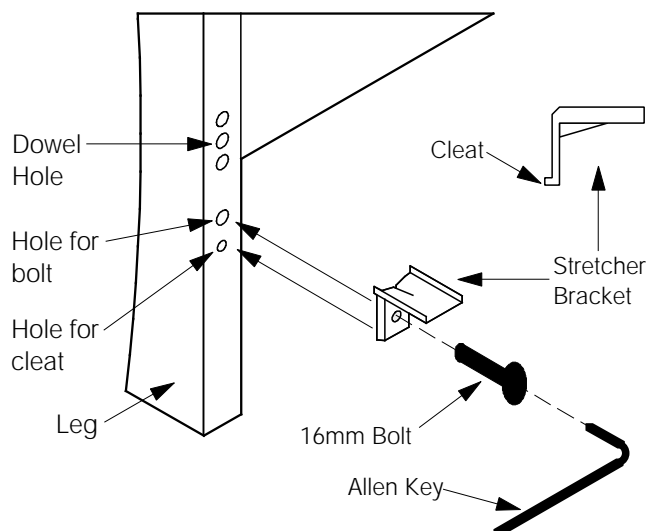


Barrel Nuts x 8 Pieces



Wooden Dowel  
x 4 Pieces

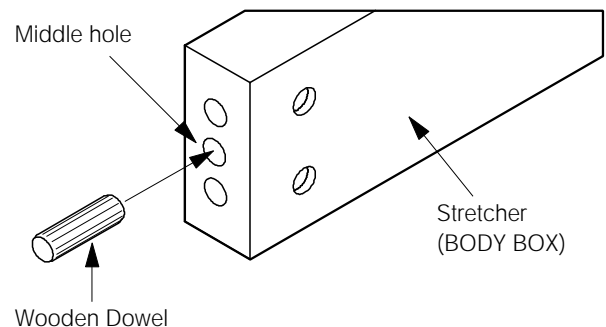
## 3 Fasten Stretcher Brackets to Arm



- Insert the Stretcher Bracket Cleft into the hole provided.
- IMPORTANT:** Don't fully tighten Bracket until Stretchers are all in place for easy alignment.
- Each arm requires two brackets, front and back.

## 4 Fit Wooden Dowels

Tap Wooden Dowels all the way into the middle hole before assembly to Arms.



## 5 Assemble the Bifold Body

### BODY INSTRUCTIONS:

Instructions for assembly of the Arms to the Bifold Body are packed in the Bifold Body box.

**i** Instructions for Bifold Body assembly, are packed in the Body box.