

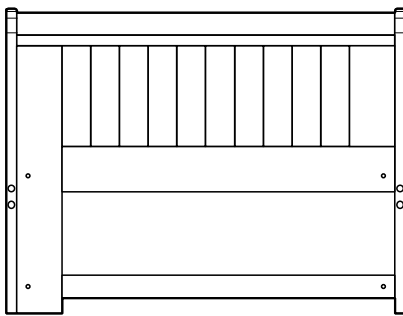
Assembly Instructions

BIFOLD FUTON FRAME FUTON ARMS

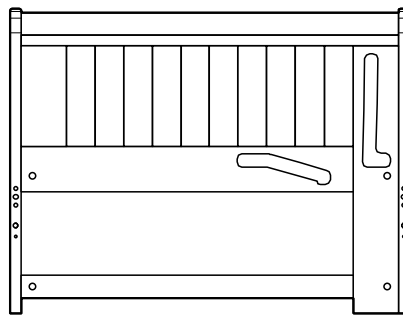
See below for Preparation of arms for assembly.

Hilton-0404

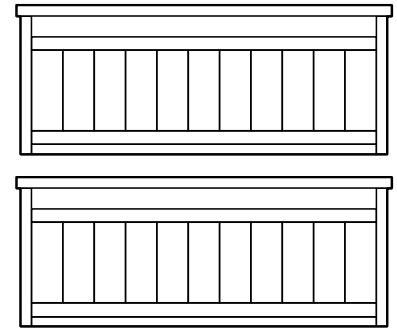
1 Packed in this box.



Arm - Outside View



Arm - Inside View



Magazine Racks x 2 Pieces

2 Hardware in this box.



100mm Bolts x 8



Barrel Nuts x 8



30mm Bolts x 8



Wood Button x 8



Wood Dowels x 4



16mm Bolts x 4



Stretcher Brackets x 4

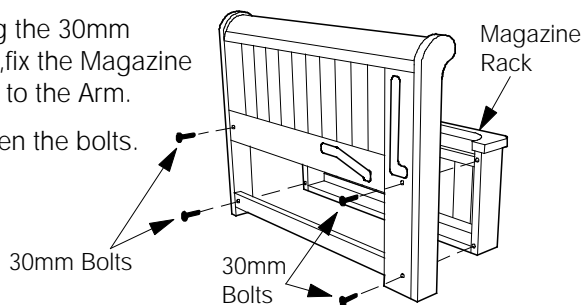


Allen Key x 1

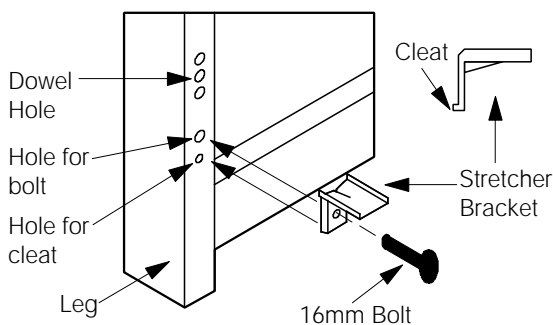
3 Attach Magazine Racks to Arms.

Using the 30mm Bolts, fix the Magazine Rack to the Arm.

Tighten the bolts.



4 Fasten Stretcher Brackets to Arm.

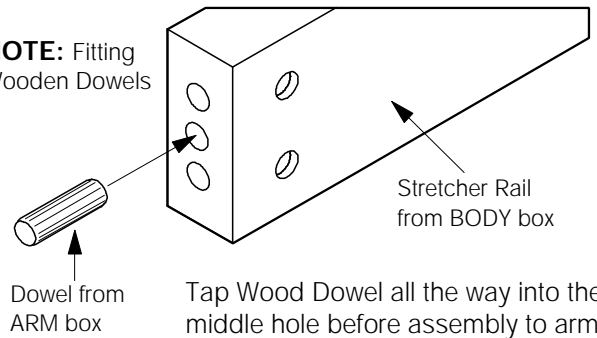


- Insert the Stretcher Bracket Cleat into the hole provided.
- IMPORTANT:** Don't fully tighten Bracket until the Stretchers are all in place for easy alignment.
- Each arm requires two brackets, front and back.

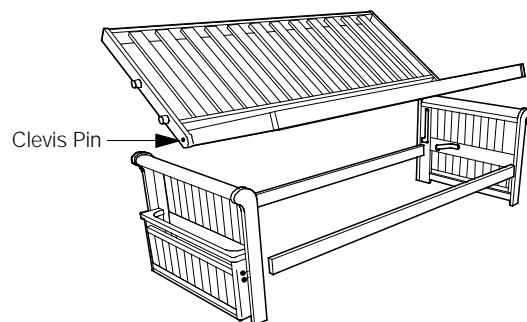
5 Assemble the Wood Futon Body.

BODY INSTRUCTIONS: Instructions for assembly of arms to the Wood Futon Body are in the BODY box.

NOTE: Fitting Wooden Dowels



! SPECIAL NOTE: Back and Seat Assembly.

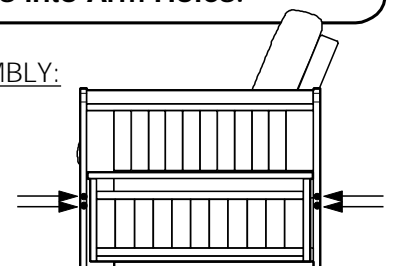


Contrary to Assembly Instructions in the BODY box, You will need to join both the Back Deck and the Seat Deck together, as shown, before fitting them between the Arms.

6 Fit Wood Buttons into Arm Holes.

AFTER TOTAL ASSEMBLY:

Push fit or lightly tap the wooden buttons into the bolt holes on the arms.



i Instructions for Bifold Body assembly, are packed in the BODY box.