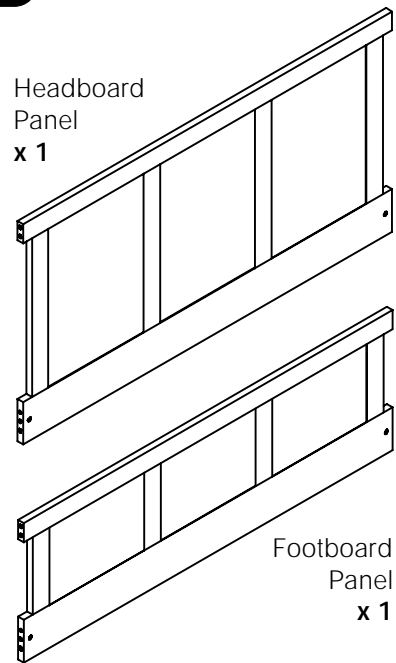
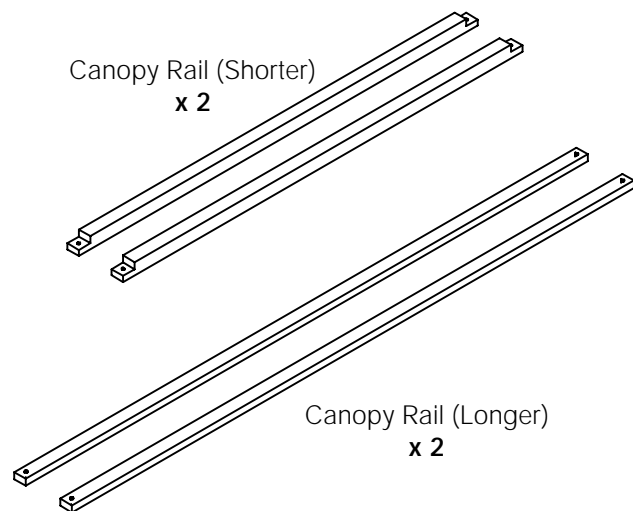


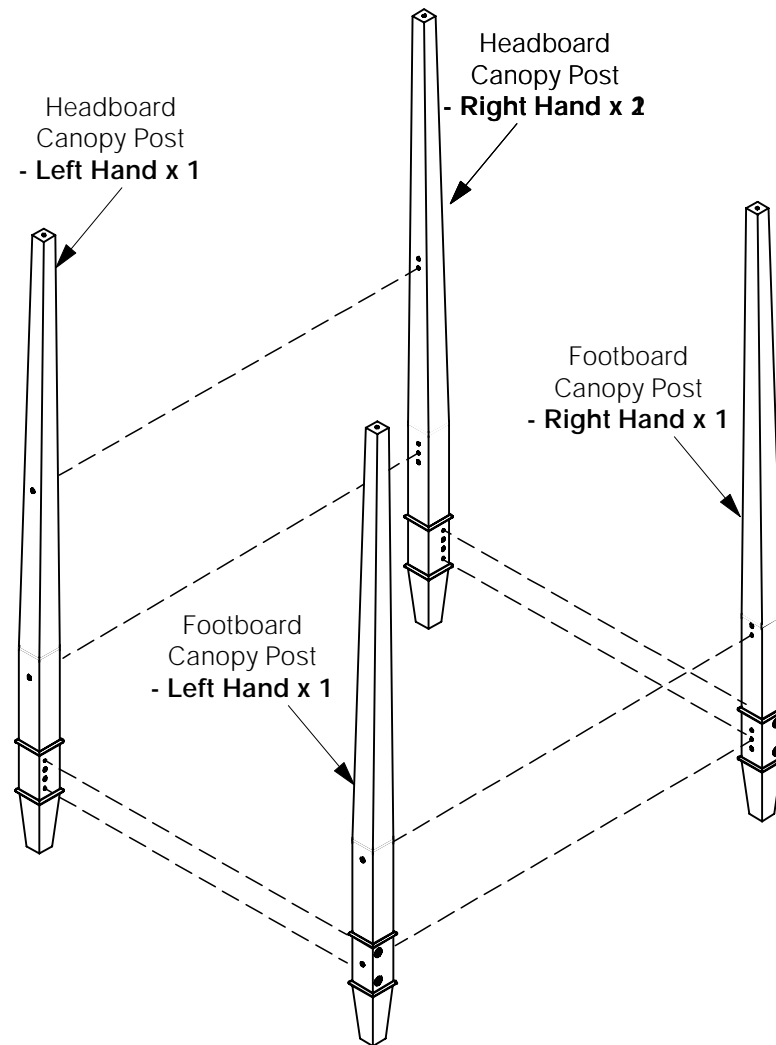
**1A** Parts in Box 1A



**1B** Parts in Box 1B



**1C** Parts in Box 1C



**1D** Hardware in this Box



110mm Bolts (JCBC) x 8



60mm Bolts (JCBC) x 4



Wood Dowels x12



Long Allen Key x 1



130mm Bolts (JCBB) x 8



Wood Buttons (Small) x 8



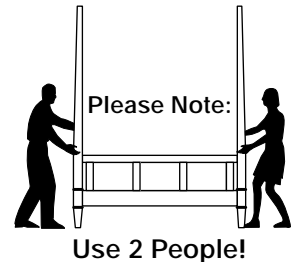
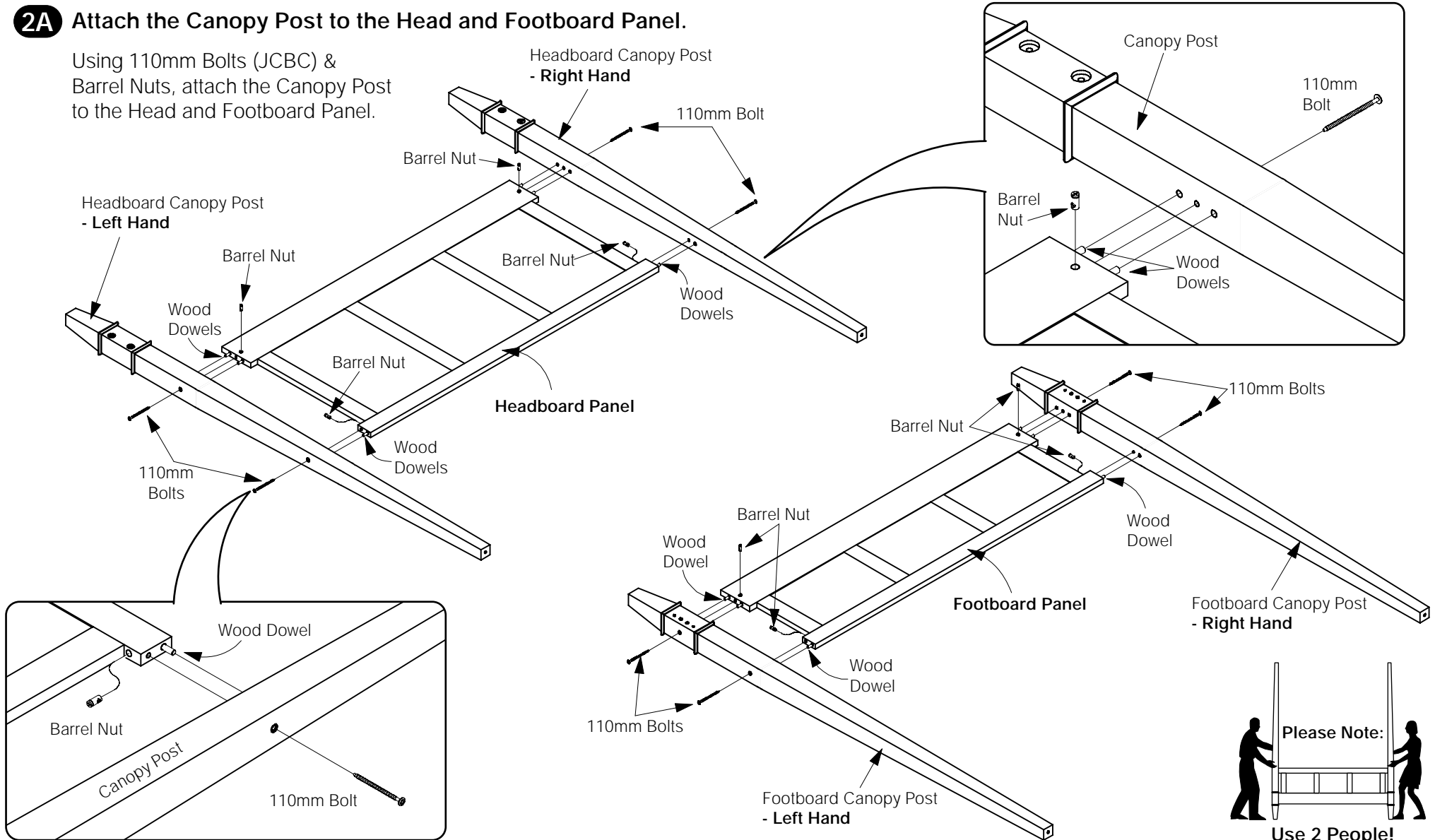
Wood Buttons (Big) x 8



22mm Barrel Nuts x 8

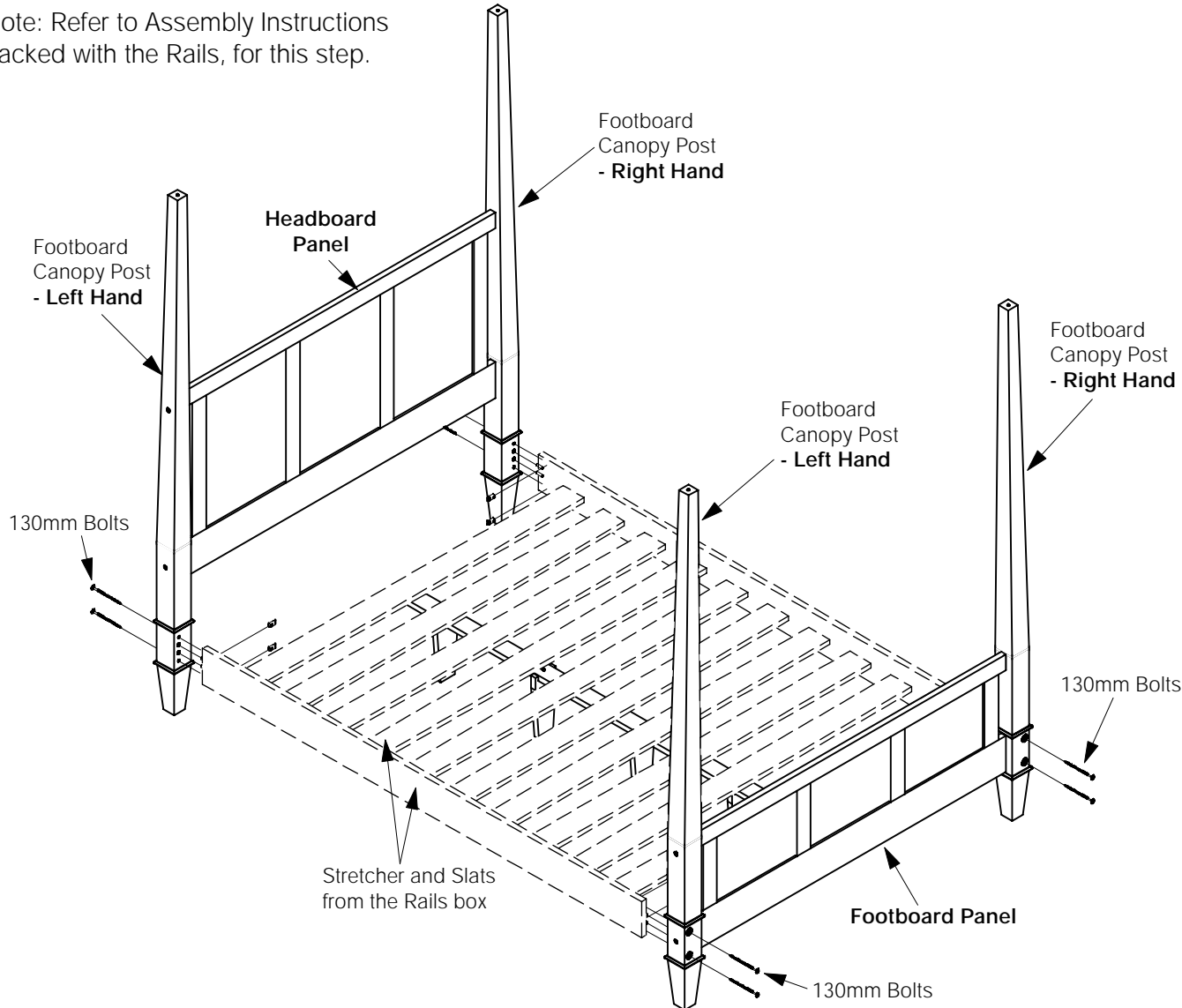
**2A** Attach the Canopy Post to the Head and Footboard Panel.

Using 110mm Bolts (JCBC) & Barrel Nuts, attach the Canopy Post to the Head and Footboard Panel.

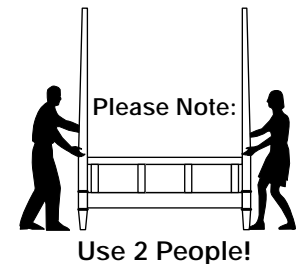


**3A Attach the Head and Footboard to the Rails & Slats.**

Note: Refer to Assembly Instructions packed with the Rails, for this step.



- ✓ The Rails and Slats are packed in separate Boxes with ThumNuts™.
- ✓ Leave the Bolts a bit loose, so it is easier to align the slats. Only after everything is put together should you tighten all the Bolts.
- ✓ *Note about Wood Buttons:* Only fit the Wood Buttons when the the complete bed (including the slats) is assembled, and all the Bolts have been tightened.



**4A** Fit the Canopy Rails onto the Canopy Posts.

Fit the Canopy Rails to the Bed Posts using 60mm Bolts. Nuts are already fixed inside the Canopy Post.

Only fit the Wood Buttons when the complete bed (including the slats) is assembled, and all the Bolts have been tightened.

