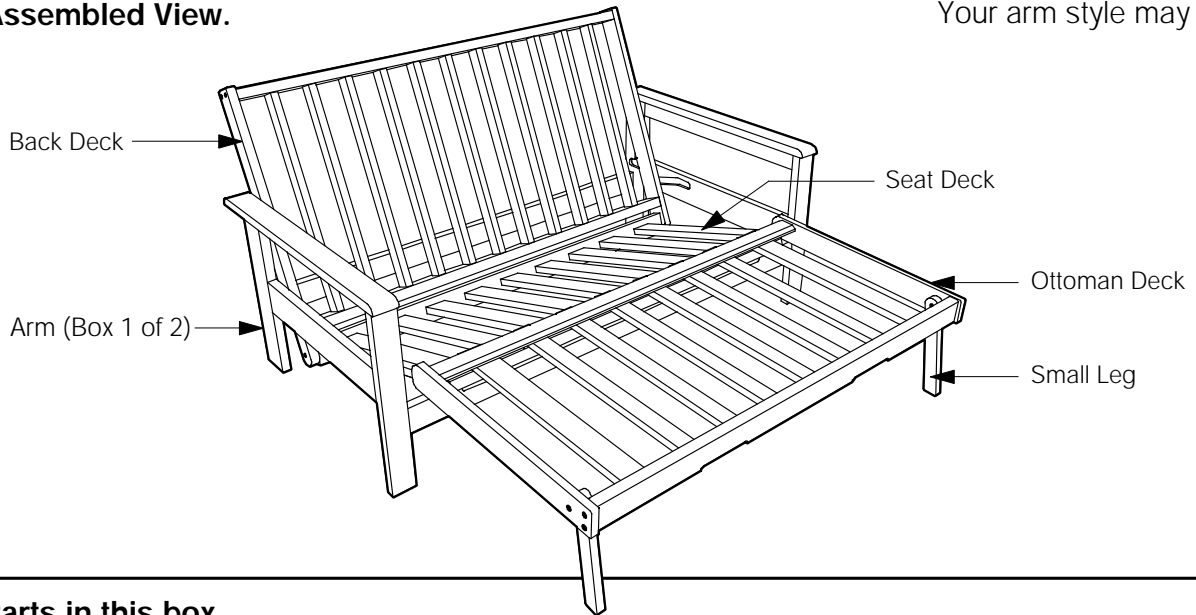
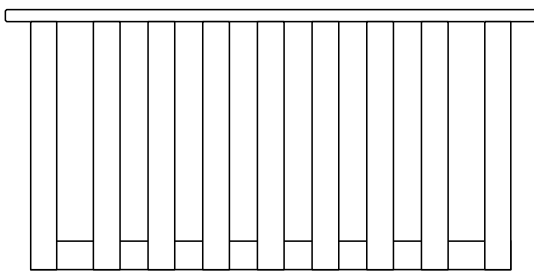


1A Assembled View.

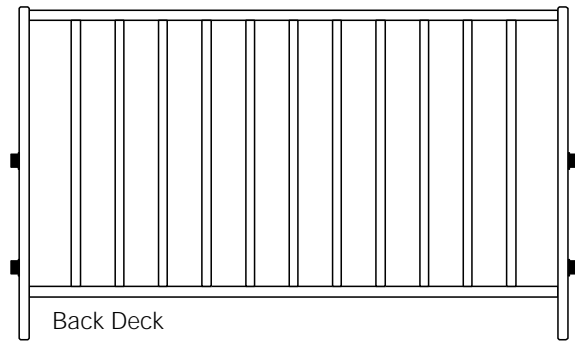
Your arm style may vary



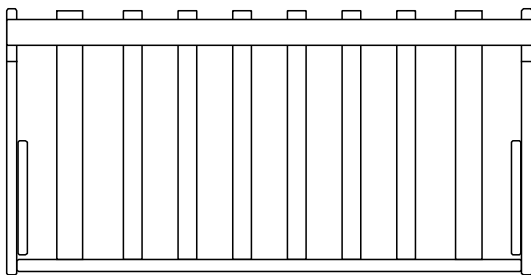
1B Parts in this box.



Seat Deck



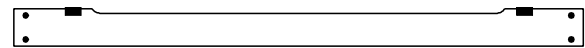
Back Deck



Ottoman Deck (with Legs)

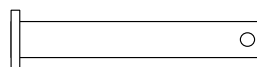


Rear Stretcher

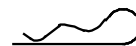


Front Stretcher (with Metal Strike Plates)

1C Hardware in this box.



Clevis Pins
x 2 Pieces



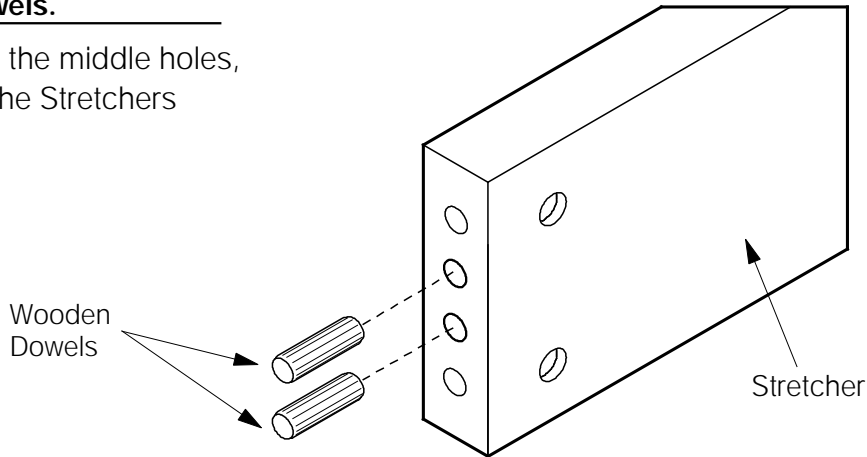
Locking Pins
x 2 Pieces

2A Prepare Arms for Assembly.

NOTE: The hardware for these steps is included with the Arms. Some Arms may not have these features, so just skip these steps.

Fit Wooden Dowels.

Tap dowels into the middle holes, at each end of the Stretchers

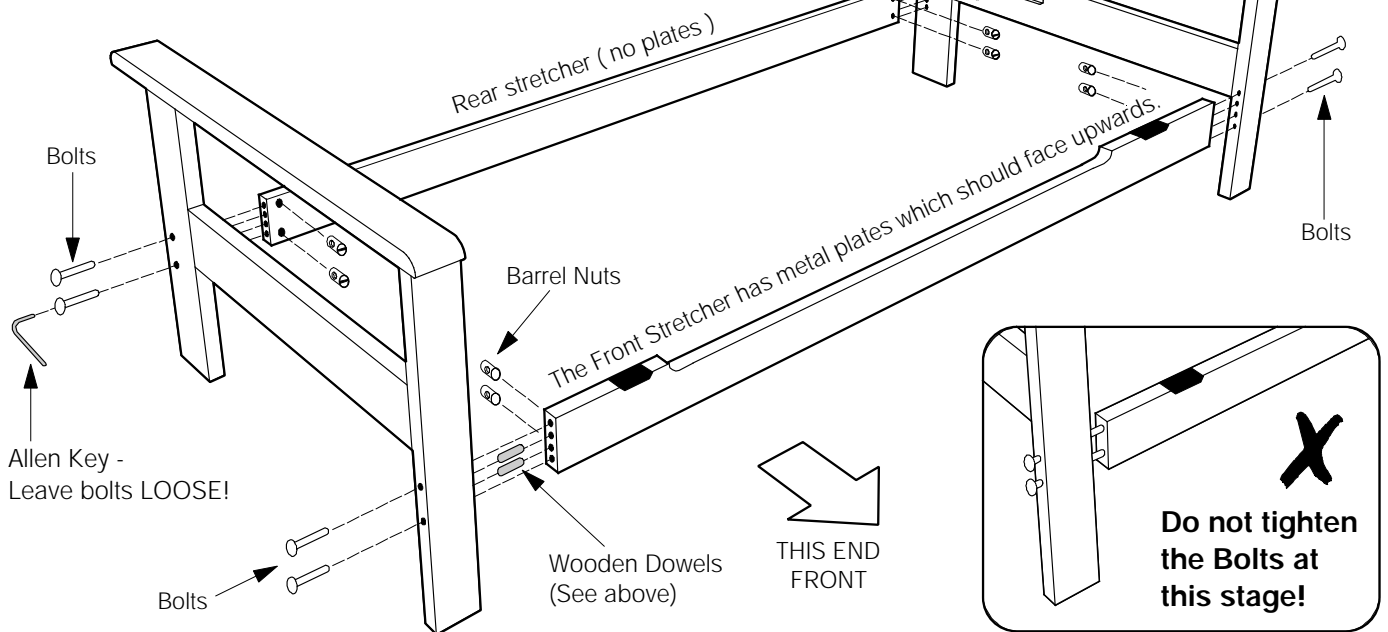


2B Attach Arms to Stretchers.

Your arm style may vary.

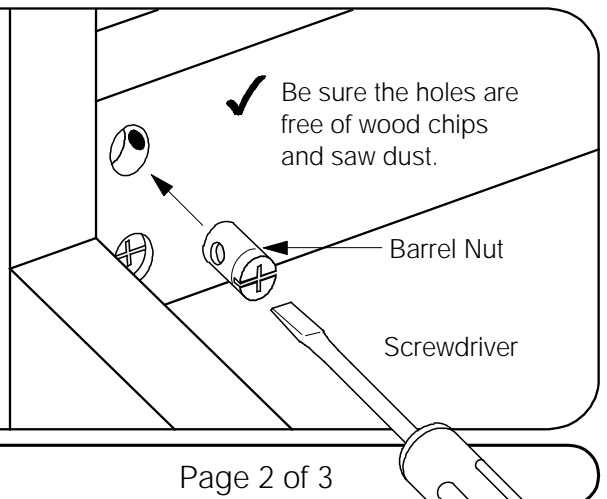
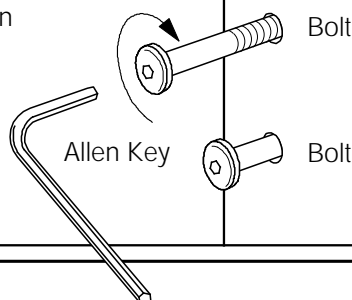
Using Bolts and Barrel Nuts provided with the Arms, attach the Arms LOOSELY to the Stretchers as shown..

It is important that these bolts are left loose!



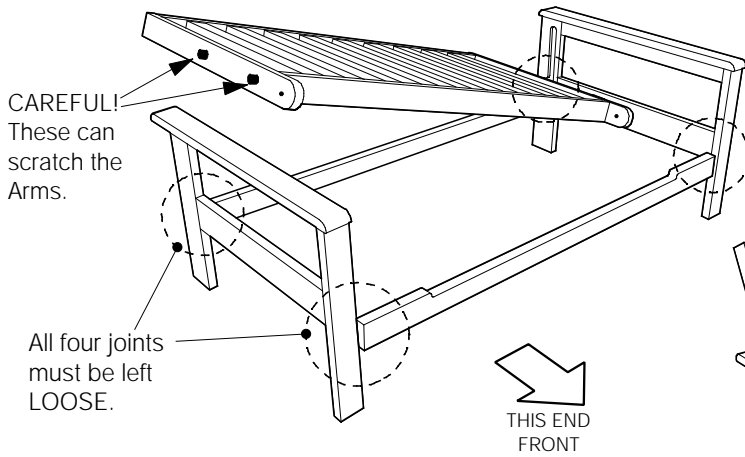
BOLT AND BARREL NUT ASSEMBLY SYSTEM

- ✓ Insert Barrel Nuts as shown using a screwdriver. This will help you position the Nut in line with the Bolt.
- ✓ Do not force the Bolt as you may strip the thread. Be sure the thread is properly started.



3A Fit Back Deck into Position.

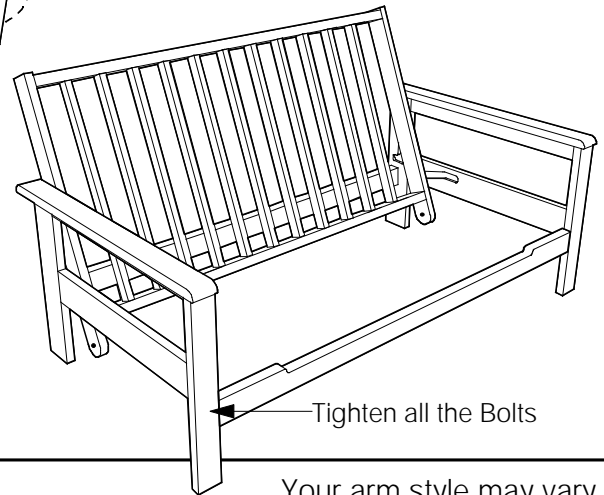
A. Insert the Back Deck lying flat. Insert one end first, then gently lower the other end into position.



Your arm style may vary

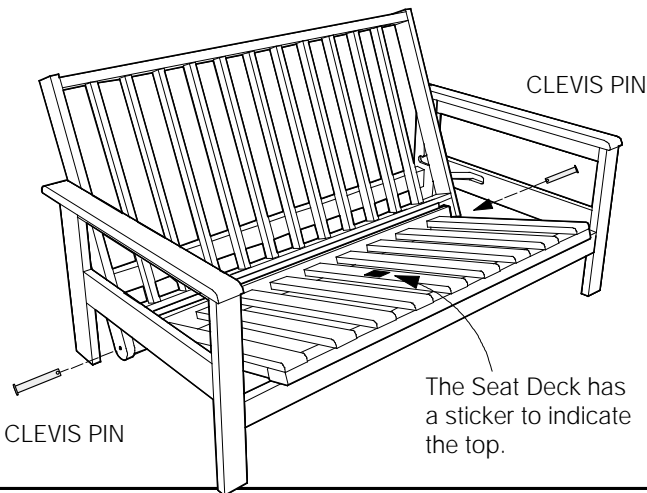
- ✓ This step can be tricky - it is best done with two people
- ✓ Remember that the Bolts on the Arm should be LOOSE.
- ✗ Be careful not to scratch the Arms with the Plastic Runners when you lower the ends of the Back Deck.

B. When you have the Back Deck fitted lying flat, tighten all the Bolts. From the back, lift the Back Deck to upright as illustrated.

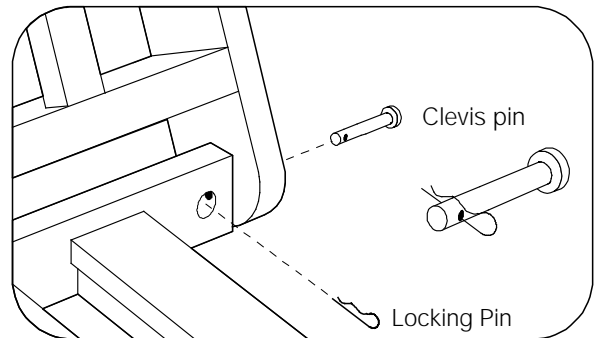


Your arm style may vary

3B Fit Seat Deck into Position.



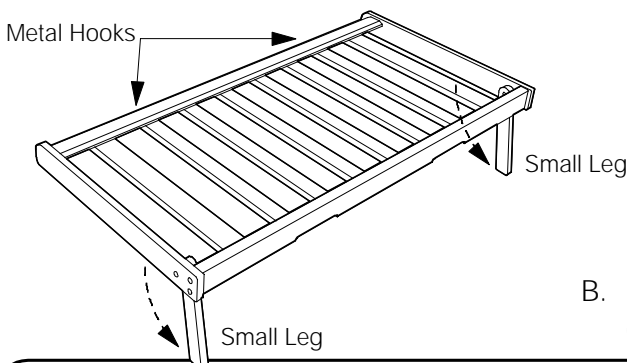
Fit the Seat deck between the Back Deck as shown. Use the Clevis Pins to connect the two decks. Secure with a Washer and Locking Pin.



3C Hook the Ottoman Deck onto the Seat Deck.

Your arm style may vary

A. Extend the small legs on the Ottoman Deck.



B. Hook the Ottoman Deck on to the Seat Deck

