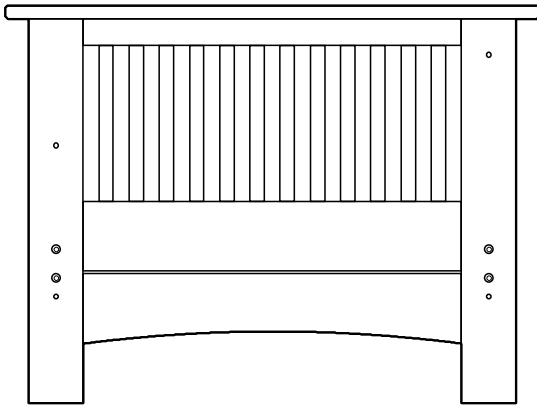
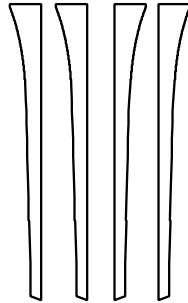


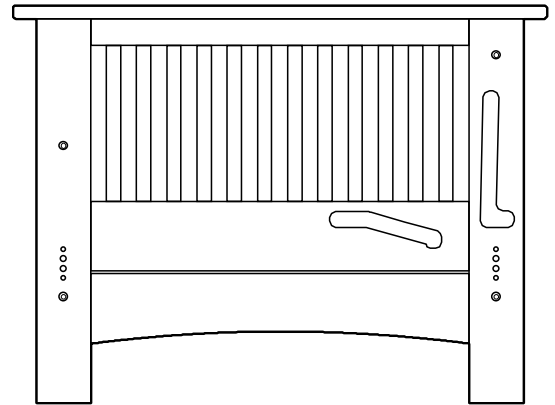
1A One pair of Bifold Arms.



Arm (Outside View)



Wood Bracket x 4



Arm (Inside View)

1B Hardware in this box.



60mm Bolts x 8
For Front & Back Leg



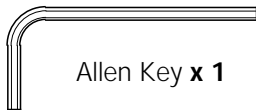
Barrel Nuts
x 8



40mm Bolts x 8
For Wood Brackets



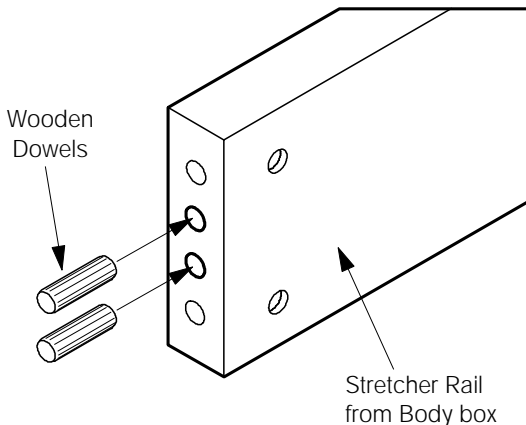
Wooden Dowel
x 8



Allen Key x 1

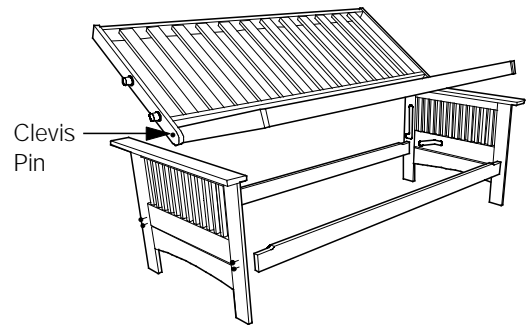
1C Fit Wooden Dowels to Stretchers.

Tap Wooden Dowels all the way into the two middle holes in the ends of the Stretchers.



1D Assemble the Arms and Body.

! For Bifold Body using a Clevis Pin only.



Contrary to the Assembly Instructions in the Body box, you will need to join the Back and Seat Deck together, with the Clevis Pins, before fitting them between the Arms.

1E Fit Wood Brackets to the Arms.

Only after the Arms and Body have been completely assembled, fix the Wood Brackets to the Arms. Lift the Seat Deck to access the Bolt holes.

✓ Before you attach the Wood Brackets, make sure all other Bolts are firmly tightened.

