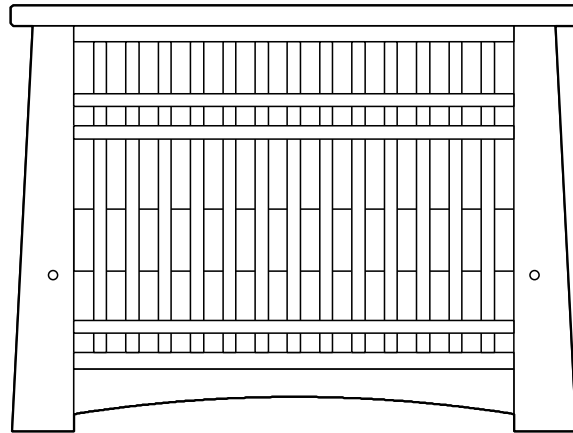
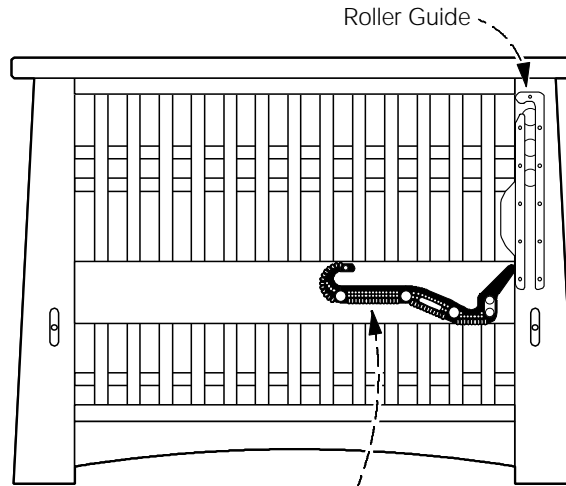


**1A** One Pair of Shoe Fittings Arms:



Outside View



Inside View

Roller Guide

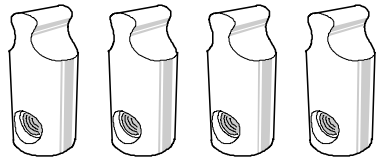
Sea Horse



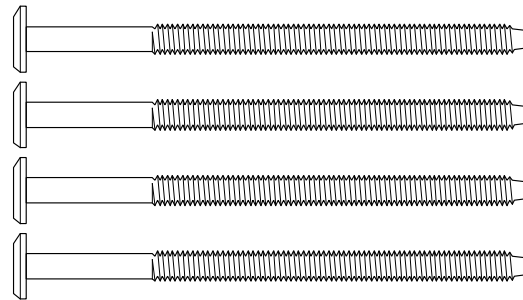
featuring the Rubber

SEA HORSE™

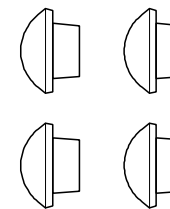
**1B** Hardware in this Box:



ThumNut™ x 4 pieces  
Patent No.: US 6,457,923



Long Bolts (100mm)  
x 4 pieces



Wood Buttons  
x 4 pieces

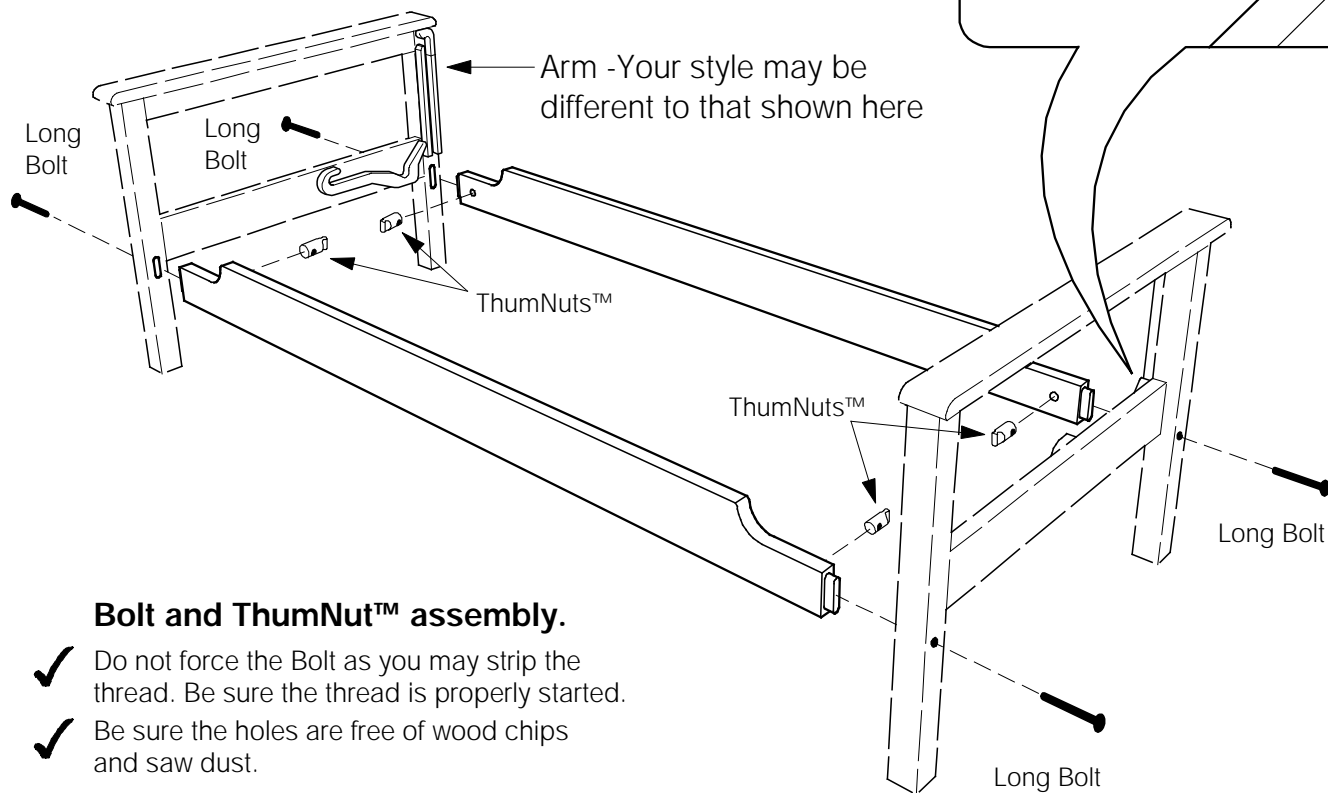
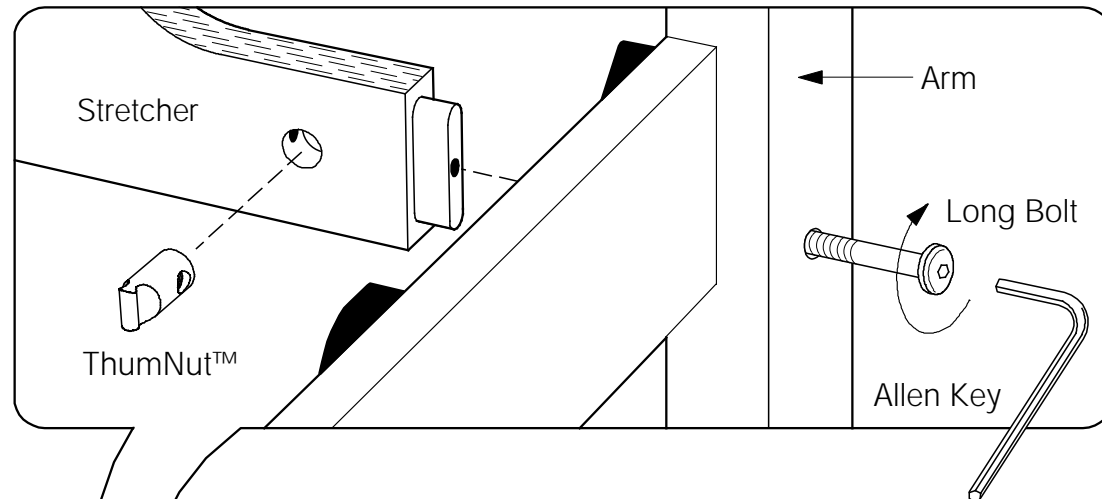


Allen Key  
x 1 piece

**2A Attach the Stretchers to the Arms.**

Using Long Bolts and ThumNuts™ provided with the Arms, attach the Arms to the Stretchers as shown.

The raised side of the stretcher should face upwards.

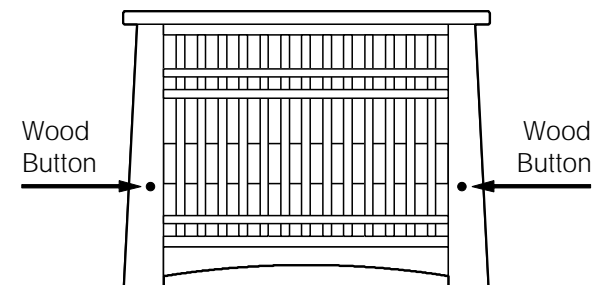


**Bolt and ThumNut™ assembly.**

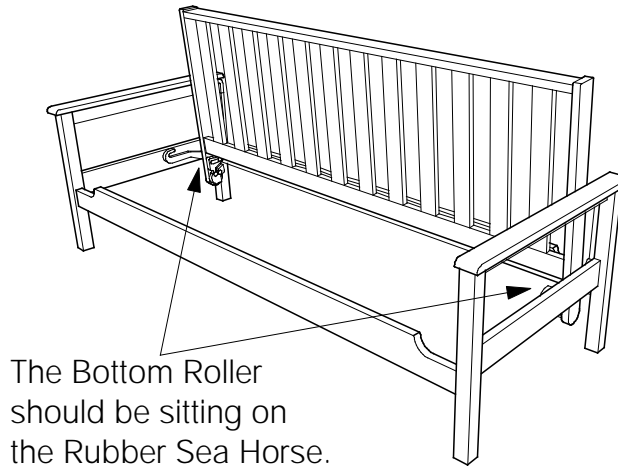
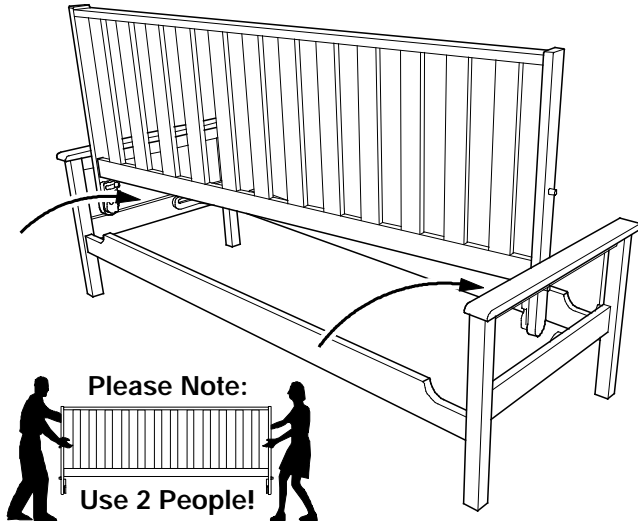
- ✓ Do not force the Bolt as you may strip the thread. Be sure the thread is properly started.
- ✓ Be sure the holes are free of wood chips and saw dust.

**2B Fit Wood Buttons into Bolt Holes.**

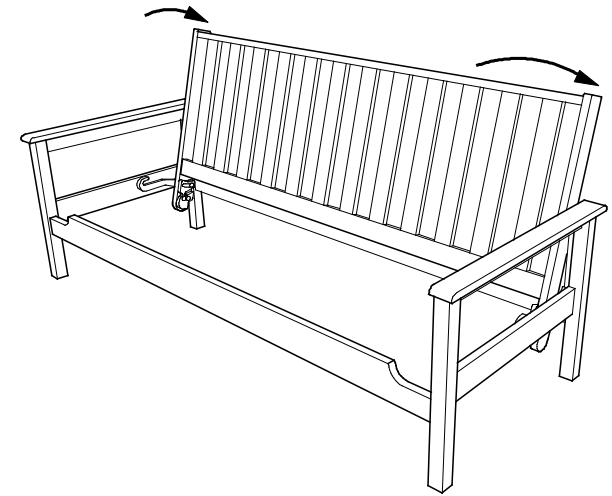
Tighten all Bolts. Push fit or lightly tap the Wood Buttons into the Bolt holes on the Arms.



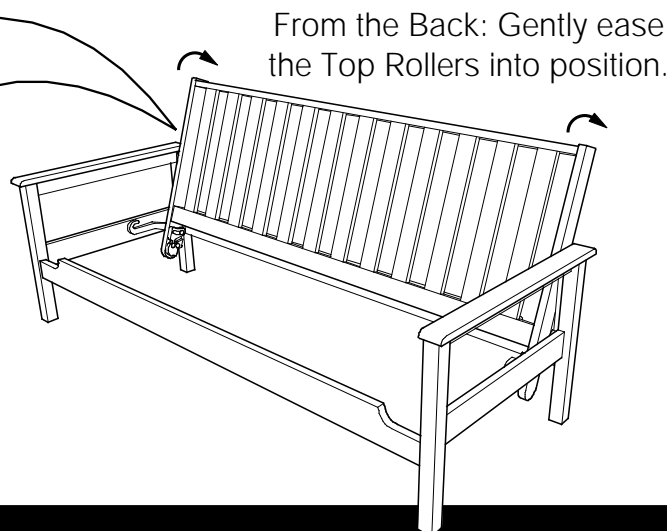
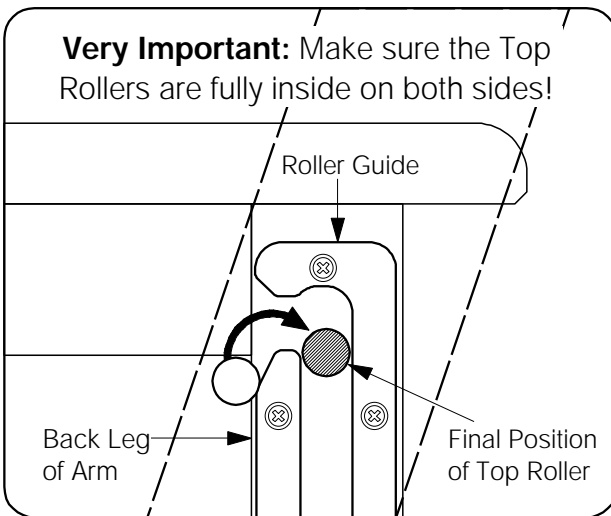
**3A** Carefully lift the Back Deck into position. Place the Bottom Rollers onto the back of the Rubber Sea Horse.



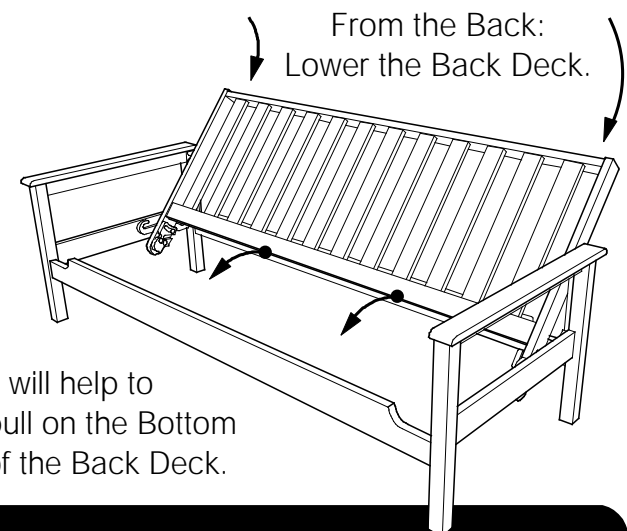
**3B** Rest the Top Rollers against the Leg.



**3C** Gently lift the Back Deck so the Top Roller goes inside the Roller Guide.



**3D** Gently Lower the Back down until it is lying flat.



## Assembly 2: Fit the Seat Deck

Chair • Love seat • Full • Queen

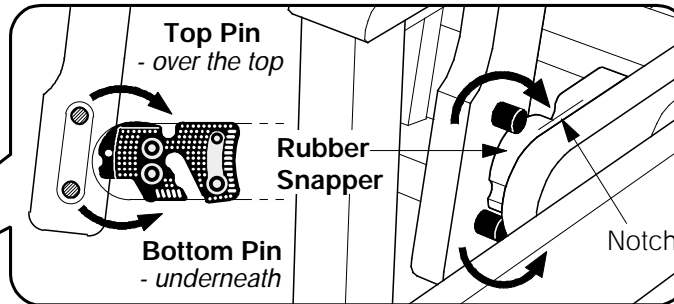
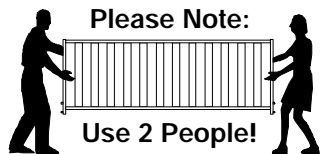
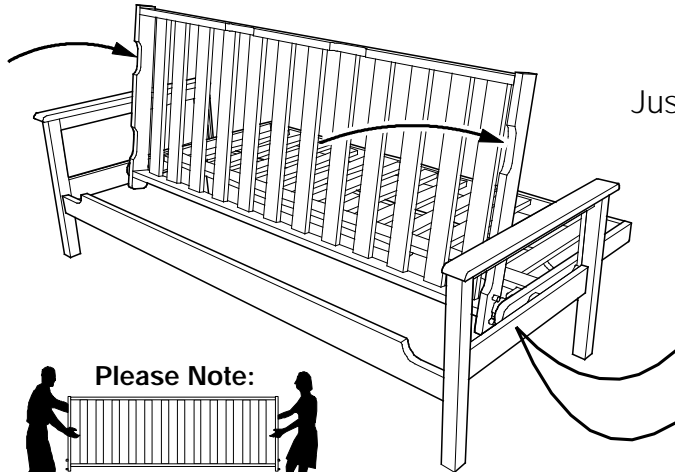
SF 0404

### 4A Hook the Seat Deck onto the Snapper.

Lift the Seat Deck in vertically, so the Pins meet with the Rubber Snapper. The head of the Snapper should fit **between both Pins**.

Just remember:

- The Top Pin - fits over the top,
- The Lower Pin - goes underneath.



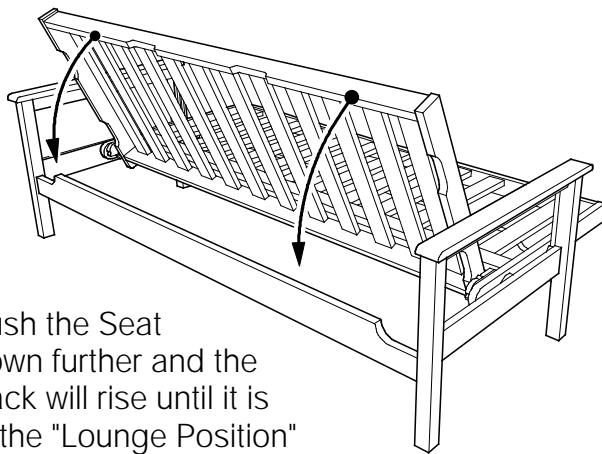
### 4B Pull the Seat over the "Snap Point."

You will need to Pull Hard.



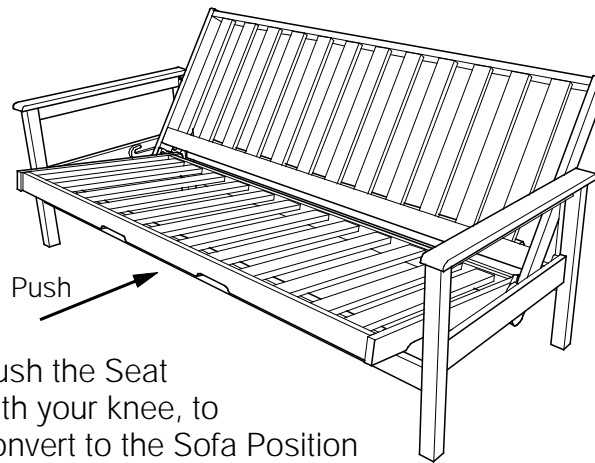
With the Top Pin **inside the notch** on the Rubber Snapper, put your foot on the Back Deck and pull the Seat over the "Snap Point"

### 4C Push down on the Seat, and the Back will Lift.



Push the Seat down further and the Back will rise until it is in the "Lounge Position"

### 4D This is the Lounge Position.



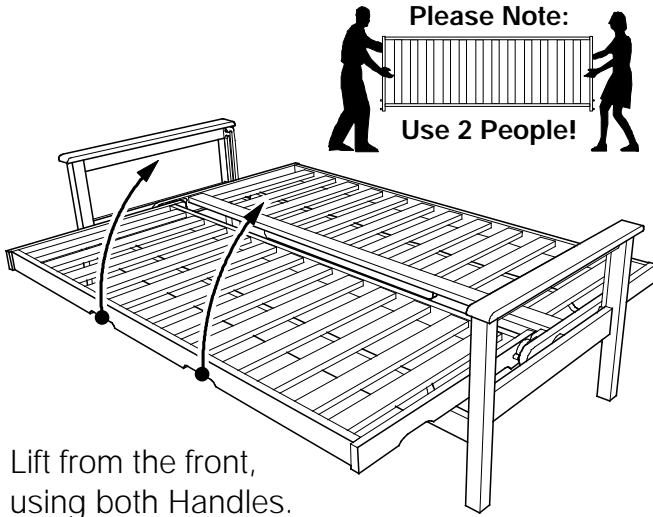
Push the Seat with your knee, to convert to the Sofa Position

### 4E This is the Sofa Position.

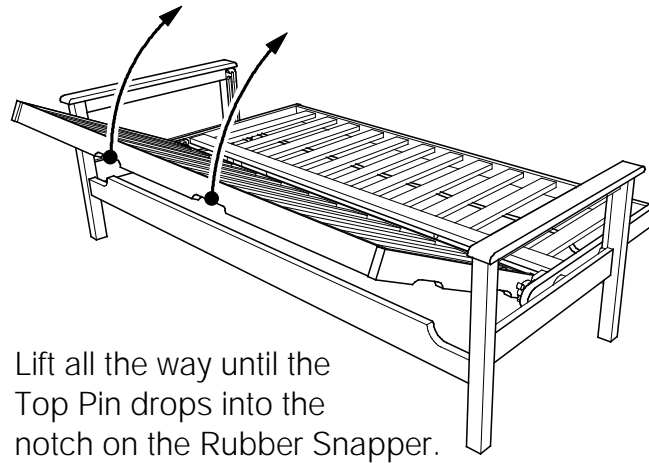


Add Mattress and Enjoy! See separate page for Operating Instructions.

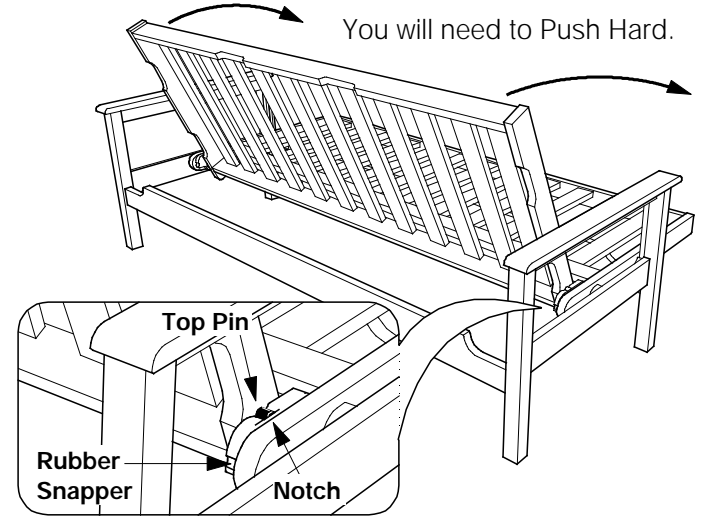
**5A** From the Bed position, lift the Seat.



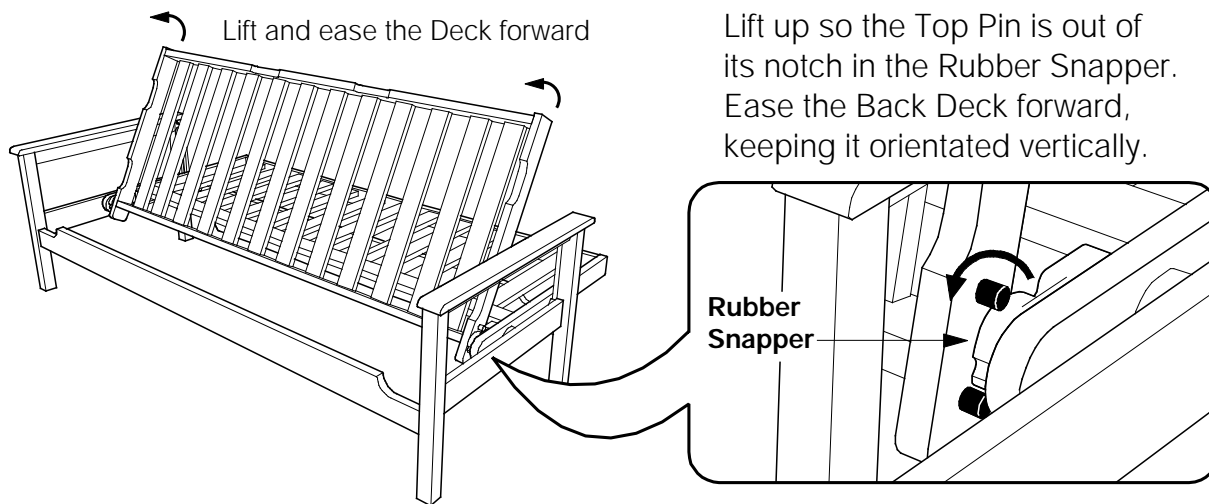
**5B** Lift the Seat all the way.



**5C** Push the Seat over the "Snap Point."



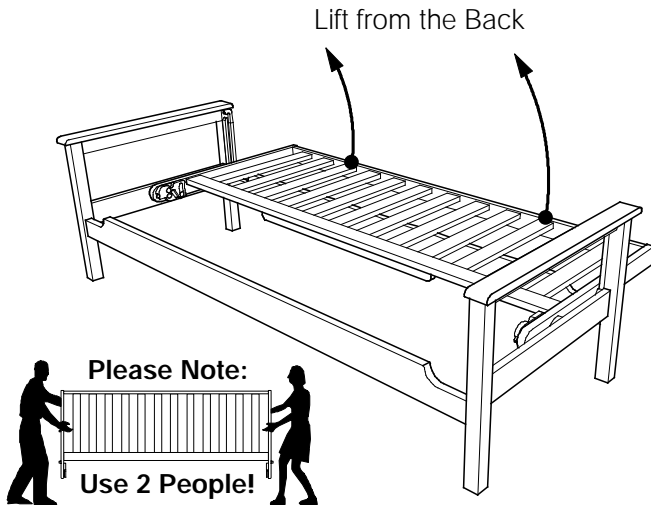
**5D** From the Back, lift out the Top Pin and ease the Seat Deck forward.



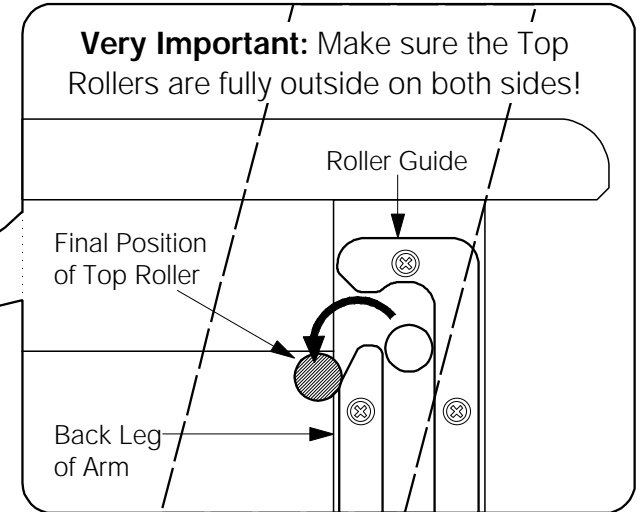
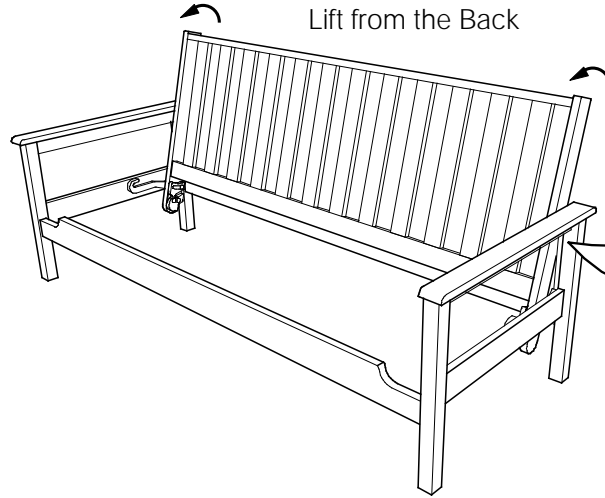
**5E** Lift the Seat clear of the frame.



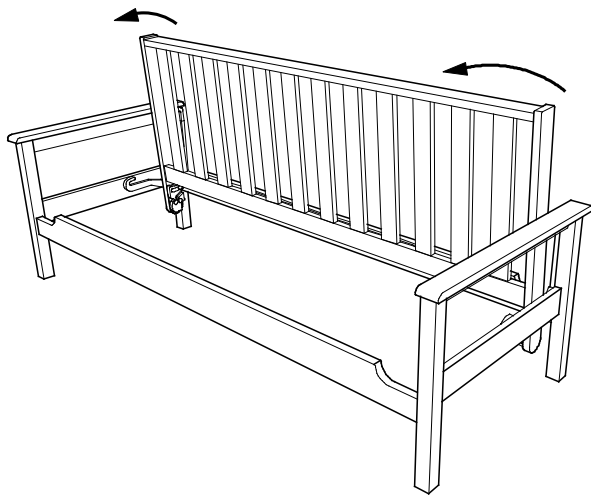
**6A** Lift the Back Deck up.



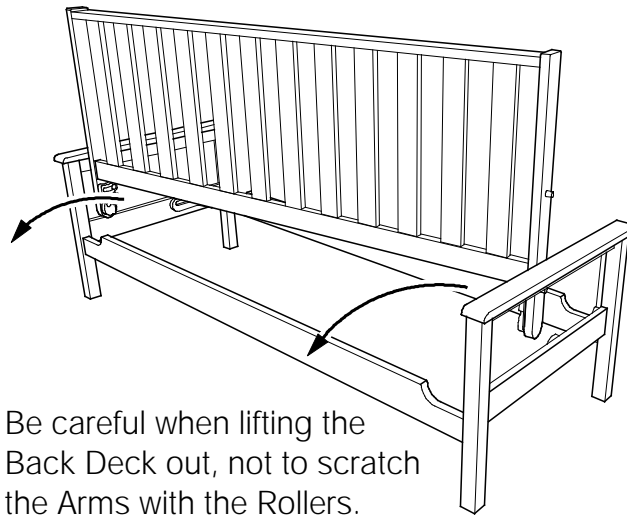
**6B** Lift Back Deck so the Top Roller is clear of the Back Leg.



**6C** Push the Deck forward at the top.



**6D** Lift the Back away from the Arms.



**6E** Undo the Stretcher Bolts.

