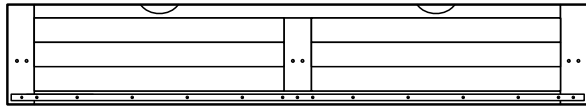
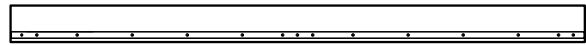


1A Parts in this Box 1

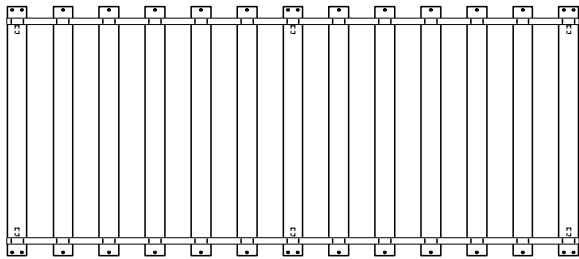


Front Panel x 1



Back Rail x 1

1B Parts in this Box 2



Set of Slats x 1

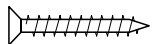
1C Hardware in this Box 1



40mm Bolts x 12



16mm Bolts x 6



30mm Wood
Screws x 20



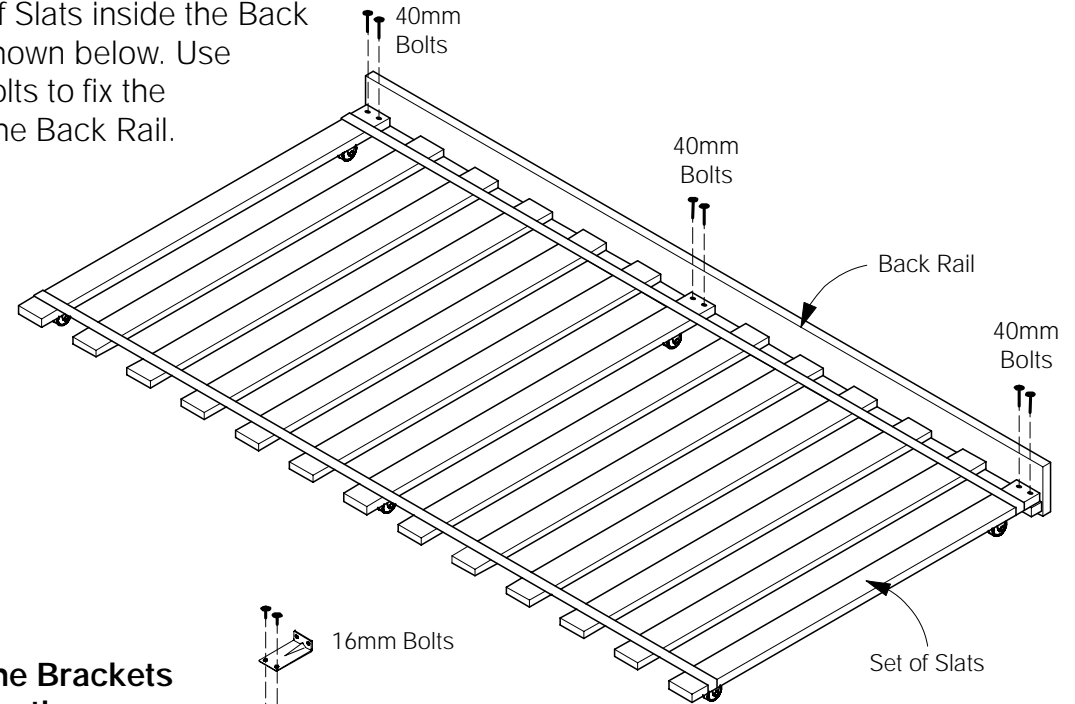
Long Allen Key
x 1



Metal Brackets
x 3

1D Layout the parts and Bolt the Slats to the Back Rail

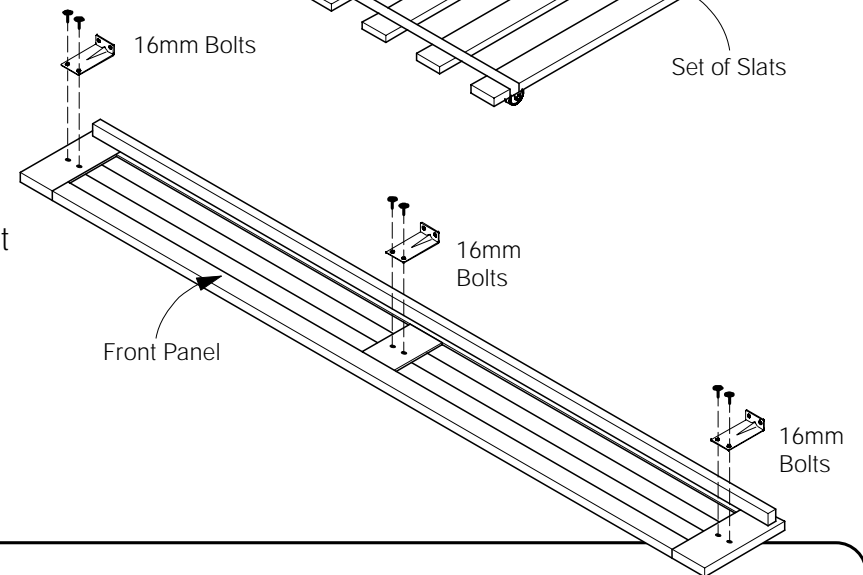
Lay set of Slats inside the Back Rail as shown below. Use 40mm Bolts to fix the Slats to the Back Rail.



1E Attach the Brackets loosely to the Front Panel.

Attach the Metal Bracket with 16mm Bolts to the Front Panel.

Leave the Bolts loose!



2A Attach the Front Panel to the Slats.

Attach the Front Panel with 40mm Bolts to the Slats. Use the Wood Screws to fix remaining slats to the Front and Back Rail (total 20 screws.)

An electric screwdriver will make this much easier.

