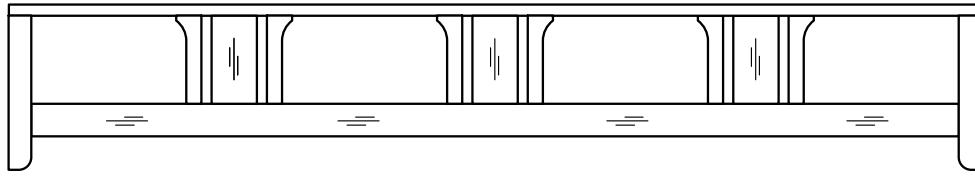
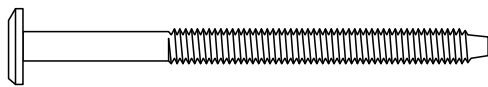


1A Parts in this Box.

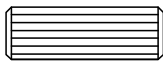


Back Panel x 1

1B Hardware in this Box.

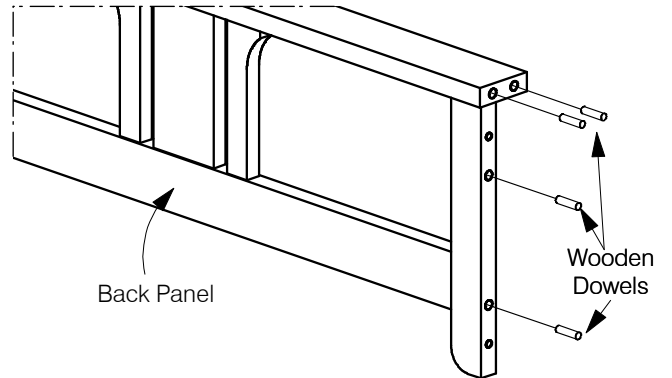


80mm Bolts x 4

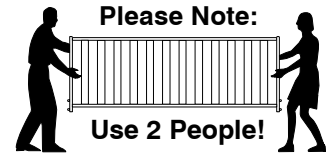
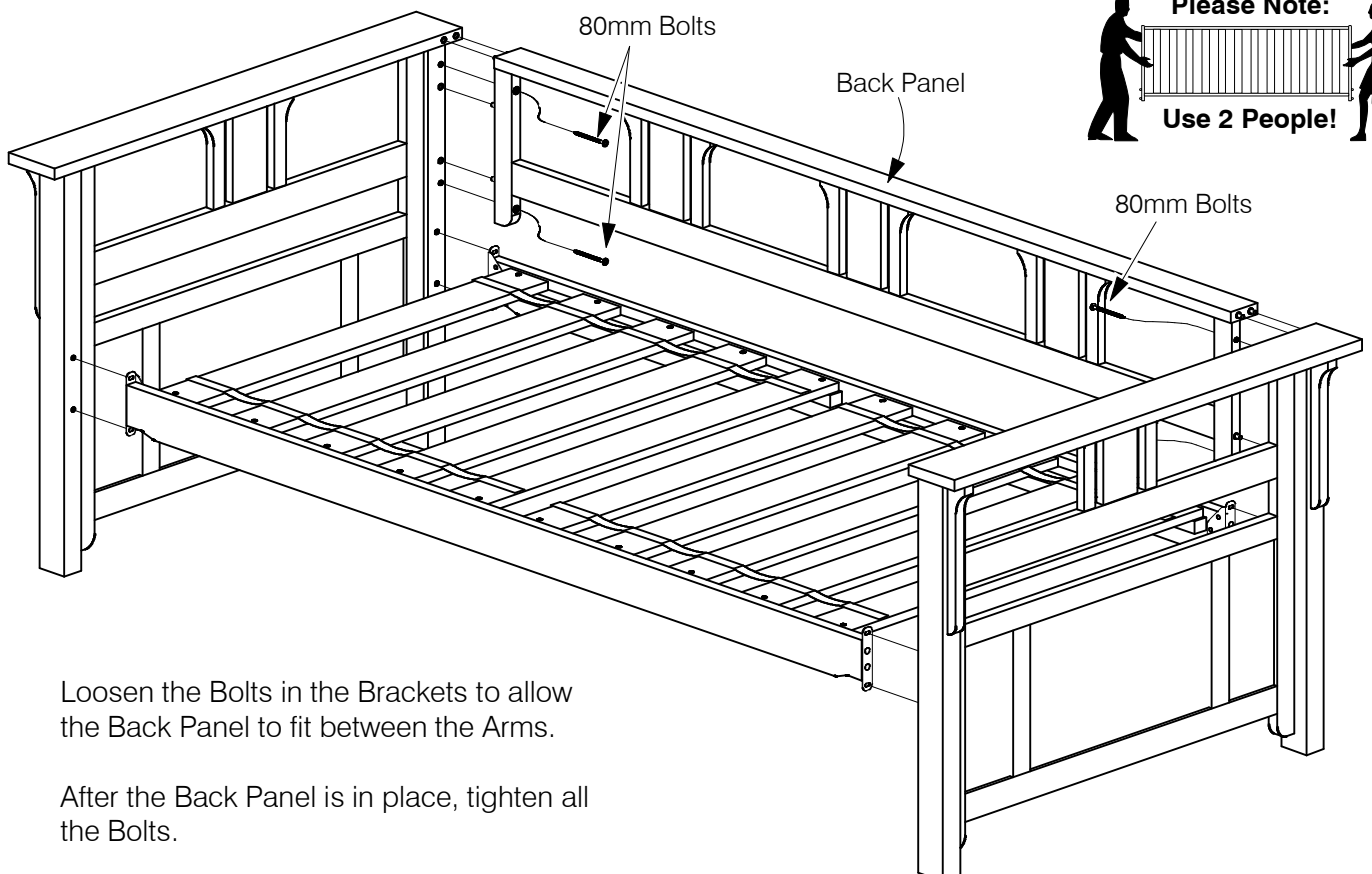


Wooden Dowels x 8

1C Fit Wooden Dowels to Back Panel.



1D Fix the Back Panel in place with the 30mm Bolts.



Loosen the Bolts in the Brackets to allow the Back Panel to fit between the Arms.

After the Back Panel is in place, tighten all the Bolts.