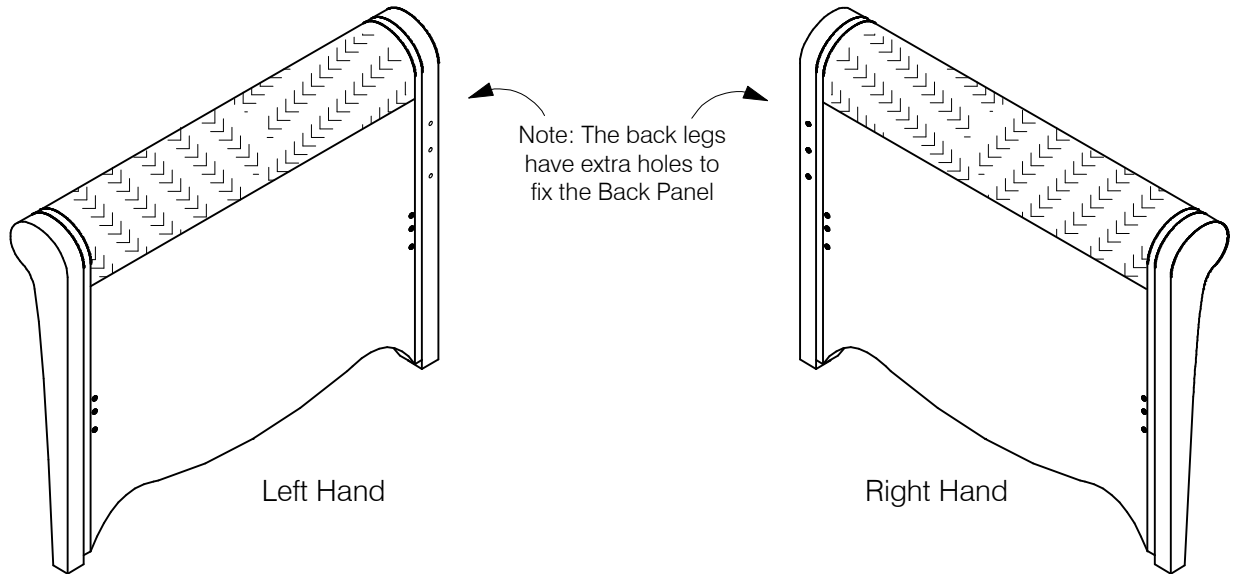
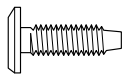


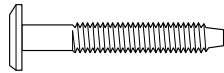
1A One pair of Daybed Arms in this Box:



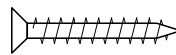
1B Hardware in this Box.



20mm Bolts
x 12



40mm Bolts
x 8



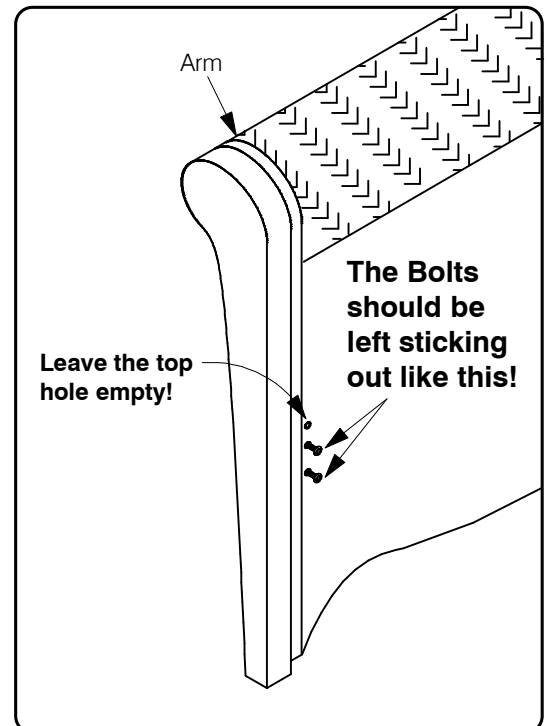
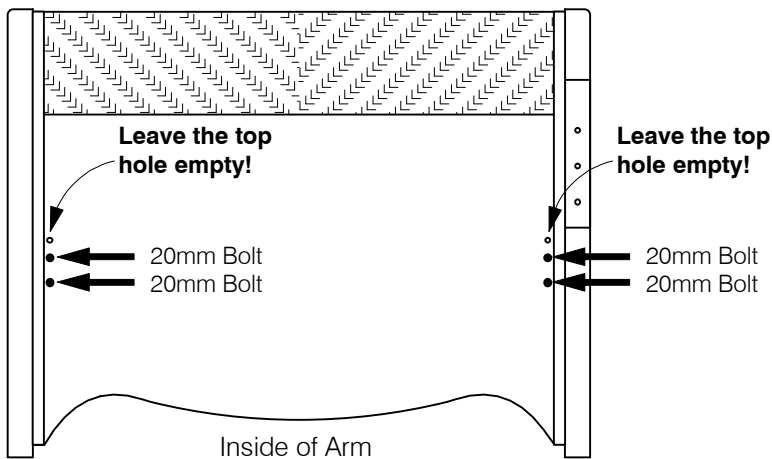
30mm
Wood Screws
x 16



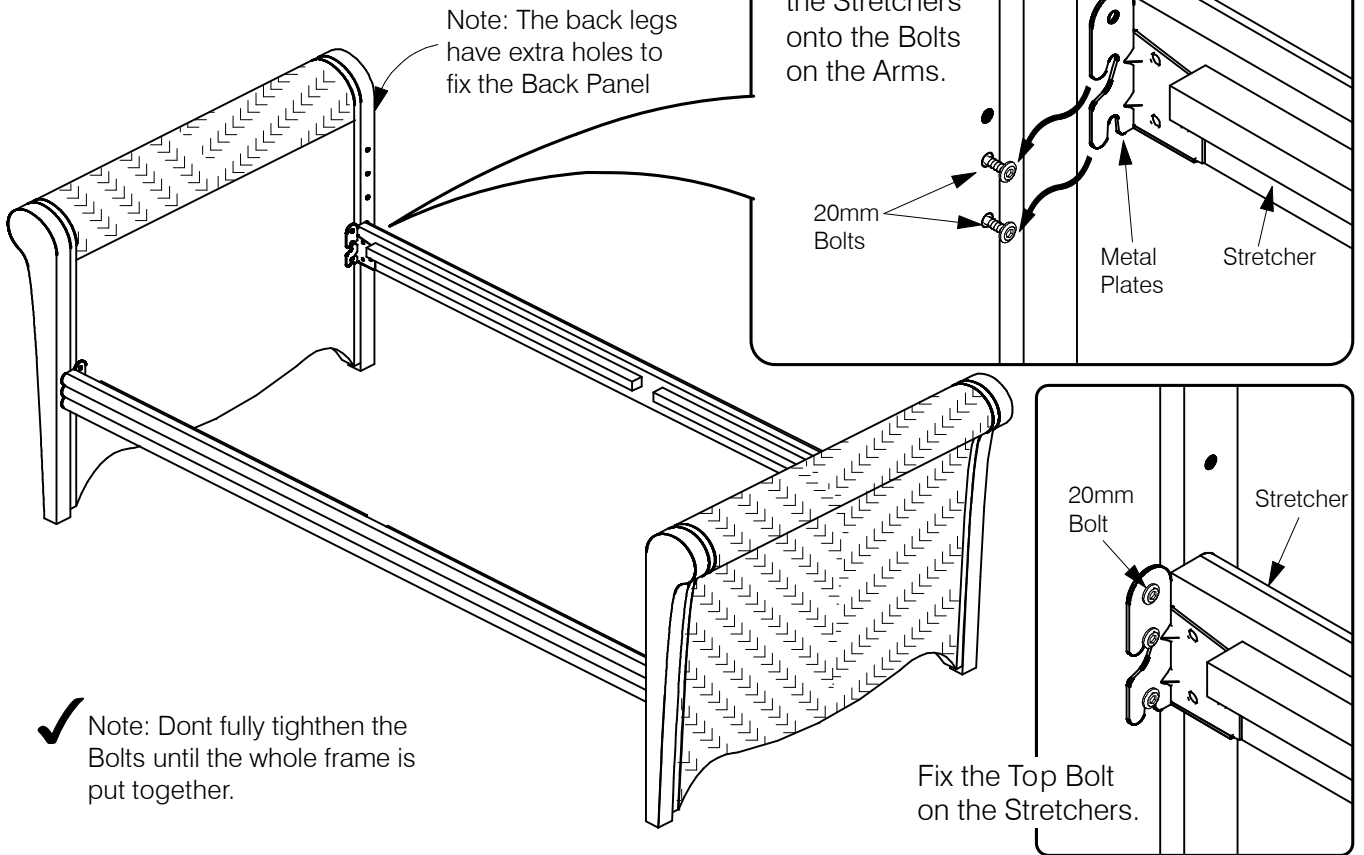
Allen Key
x 1

1C Fit Bolts loosely to Arms.

Insert the 20mm Bolts into the bottom two holes on the Arms. Screw in about five turns only.



2A Fix the Rails to the Daybed Arms.



2B Fit the Slats between the Rails.

